



slidersuk

www.sliders-uk.com

The Ultimate Composite Door



Part of the exclusive range available from Sliders UK

PAS24 and Part Q approved



Intelligent design

The Ultimate Composite Door range brings exceptional choice and product flexibility to composite door specification.

Highly engineered, it's been Independently tested to PAS24 and is Part Q approved – including cut-through testing.

This cutting-edge technical innovation is combined with a choice of stunning design and finish options.

Complemented by carefully chosen hardware and locking mechanisms, the Ultimate Composite Door Range delivers on aesthetics and performance, making it the ideal addition to your product offer.

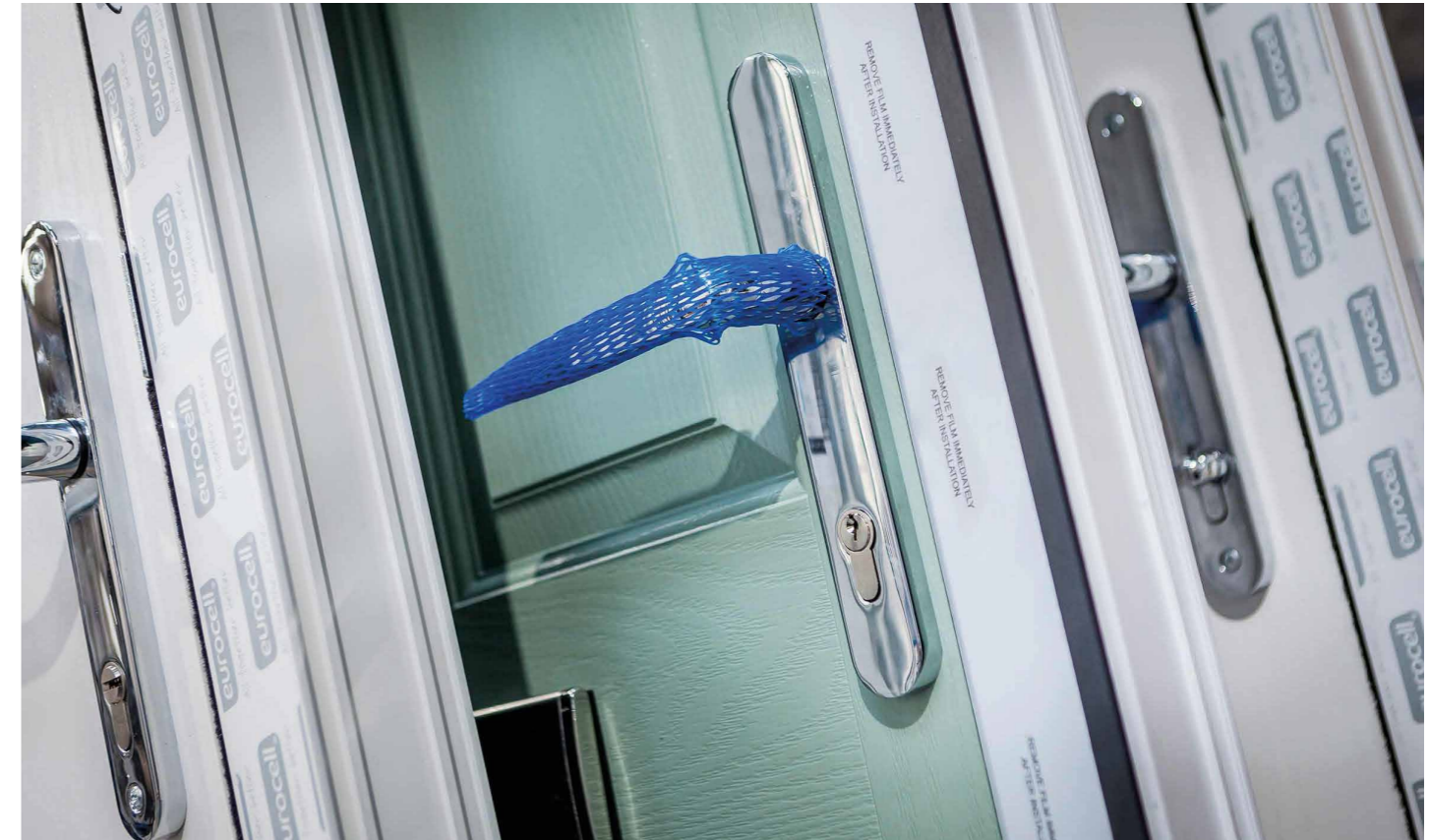


**Highly-engineered
and manufactured
to exacting standards**



BS6375 Weather Tested

Intelligent timber inserts



Intelligent timber inserts

Ultimate Composite Doors are built around a highly engineered and energy efficient door slab.

This uses intelligent timber inserts in its construction, which provide strategic reinforcement of the door at those points most vulnerable to attack.

Manufactured from Laminated Veneered Lumber (LVL), engineered inserts provide strength and stability but are highly resistant to warping, bowing and twisting.

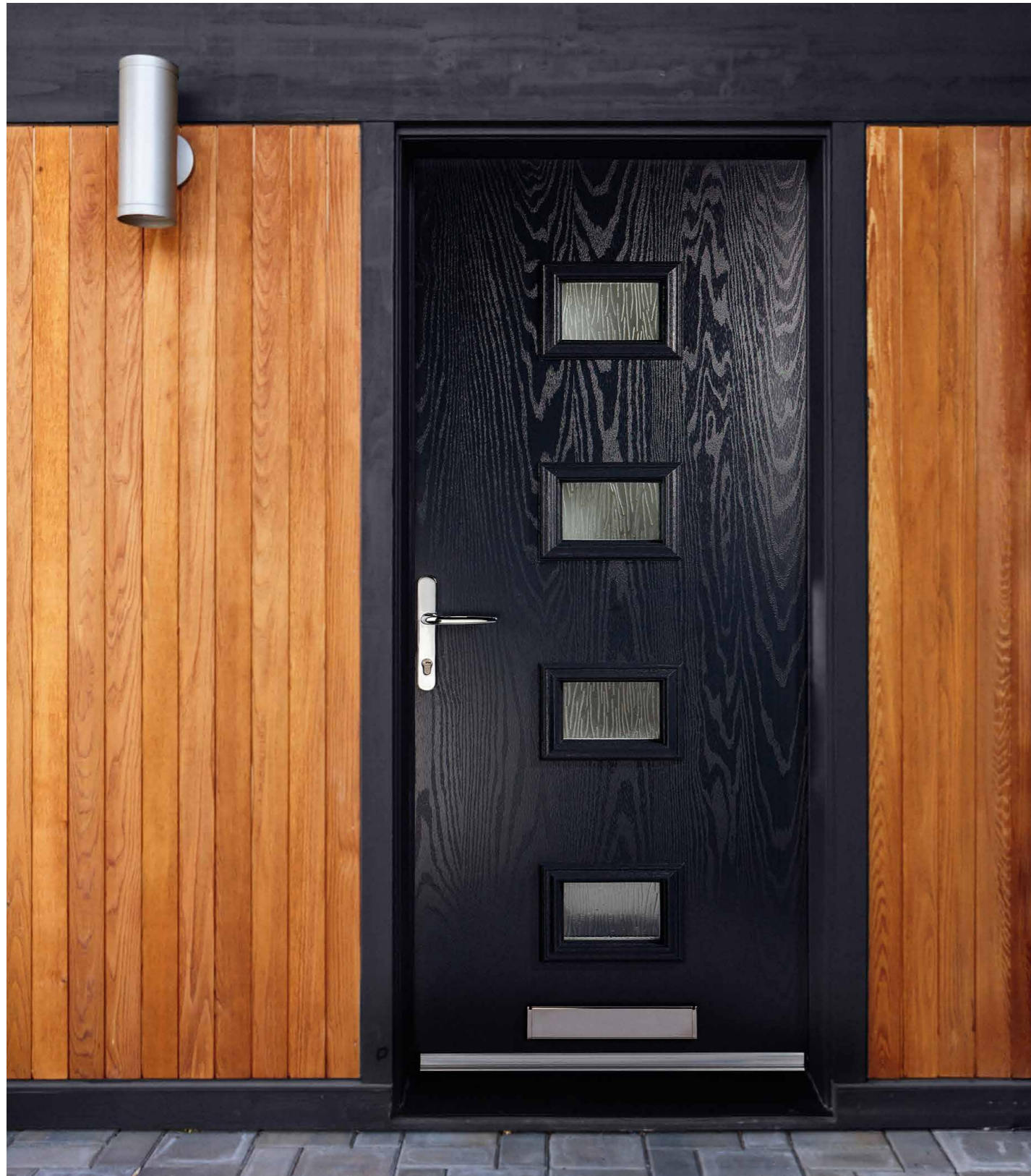
It means the Ultimate Composite Door range is Part Q and PAS24 approved – including cut-through testing – but also supplied with an industry leading, maximum 3mm bowing tolerance.

Hardware and locking mechanisms chosen to perform

The Ultimate Composite Door Range is supplied as standard with Trojan hardware and Ingenious locks, with heritage and auto-locking options available from Winkhaus.

Six-pin anti-drill and pick cylinders come as standard with the UKAS accredited 3-star BSI TS007 tested Ingenious cylinder, also available as an upgrade option.

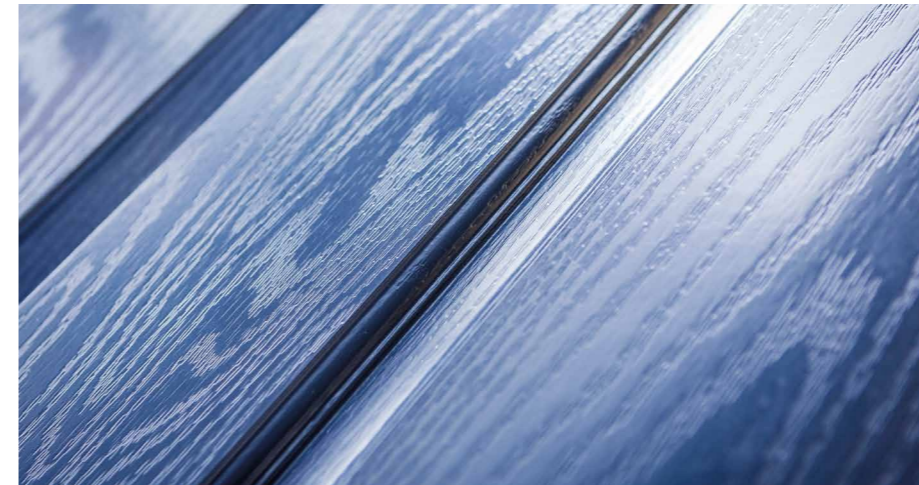
Contemporary to the classic



Door and handle options



The Ultimate Composite Door Range includes a choice of 23 classic and contemporary styles. These are some of our biggest selling options:*



Door style options



Dual Glazed Tops and Mids Tops Half Moon Half Glazed Cottage Short Longlite Porthole

Door handle options



Black White Gold Chrome Satin

*See our full composite door brochure for more.

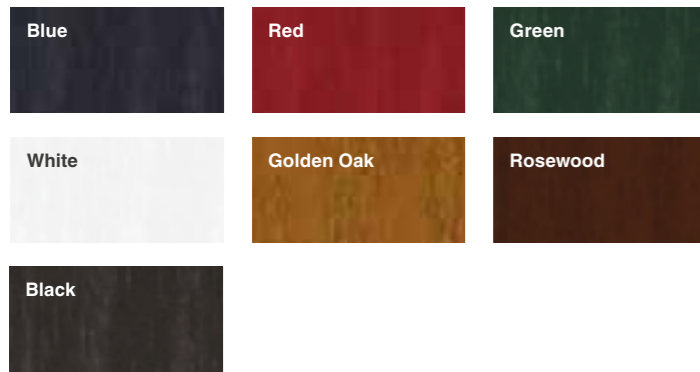
A carefully selected colour palette and incredible design flexibility



We offer an extensive choice of colours and finishes. This includes any RAL colour on special order, sprayed in our state of the art in-house spray painting facility.

All finishes are guaranteed for 10 years.

Standard Colours



Custom Colours (other colour options available)



*Door colours are for guidance only

Choice of framing options



Style-match windows and doors

We offer a choice of Duraflex featured or Eurocell chamfered 70mm door framing options, delivering the flexibility to match door designs into most window systems.

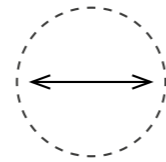
These are available in white and foils, including White-Woodgrain, Rosewood, Light Oak and any RAL colour.

Platinum colour-matched frame options

We also offer colour matched frames as part of our Platinum Range.

Technical information

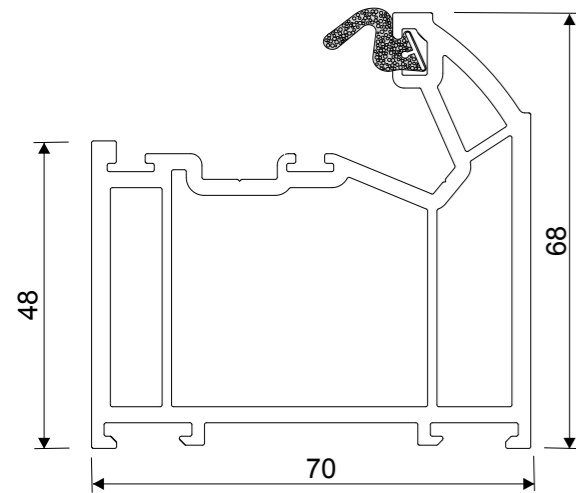
Threshold options



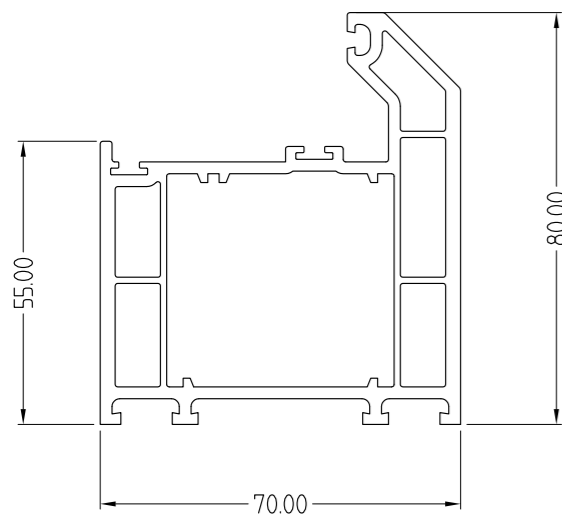
We offer standard thresholds from Duraflex and Eurocell and low aluminium threshold options from Exitex and Stormguard, plus a low threshold PVC-U option from Duraflex.

Standard threshold options

Duraflex standard threshold

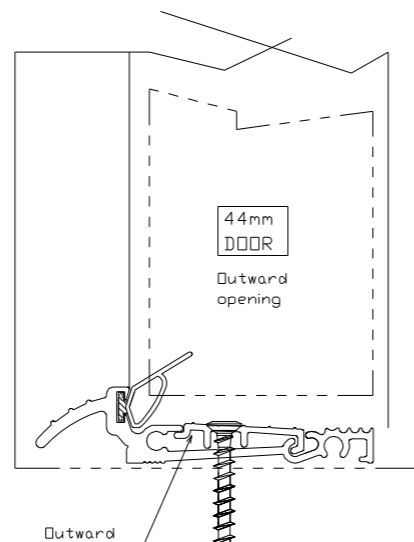
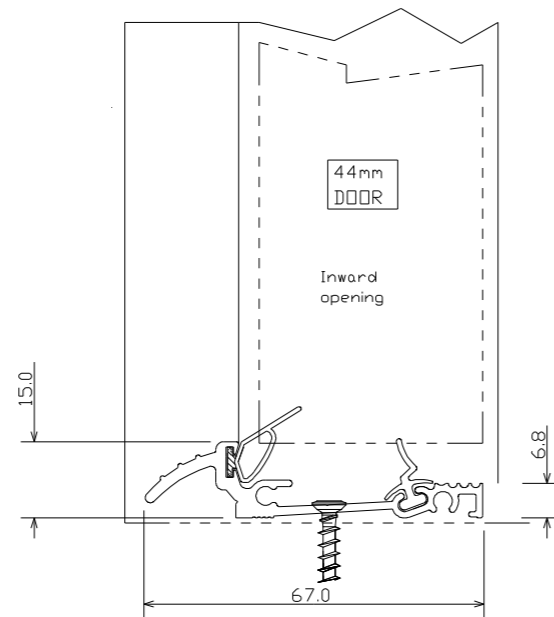


Eurocell standard threshold

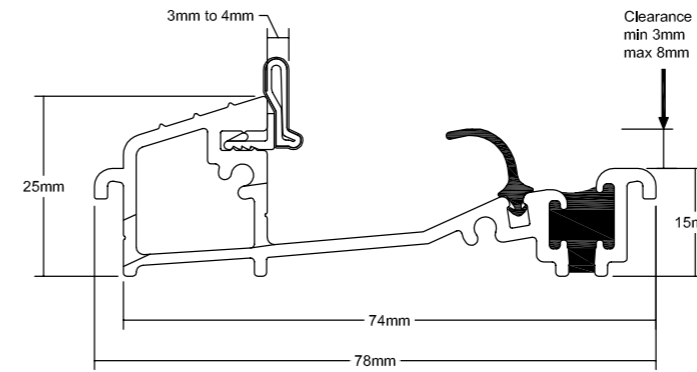


Low threshold options

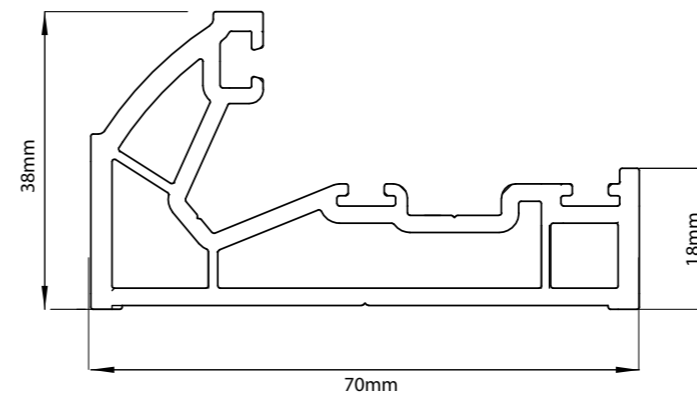
Exitex low aluminium threshold



Stormguard aluminium low threshold



Duraflex PVC-U low threshold



The Ultimate Composite Door

Pure PVC Composite rail – no fillers

Superior screw retention

Laminated Veneered Lumber (LVL)

High resistance to twisting, bowing and warping

Max. 3mm tolerance

High density, high performance, polyurethane core

Typical u-values 1.0Wm²/K (solid door) to 1.4Wm²/K (half-glazed door)

2mm high density GRP (fibreglass) skin

Unique woodgrain detailing

Through-colour

15mm intelligent timber insert technologies

Provide strategic reinforcement of the leaf while minimising additional weight and reducing risk of bowing

PAS24 tested – including cut-through tests and Part Q approved as standard

Patented three stage glazing cassette system

Supports easy replacement of glass but maximizes security

Choice of double or triple-glazed options U-values of as low as 1.0Wm²/K

23 classic and contemporary styles including cottage doors

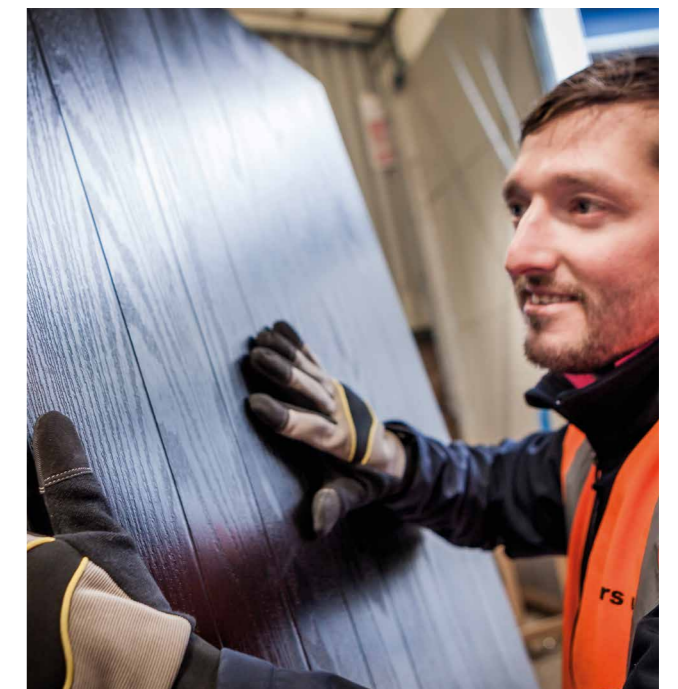
Choice of 34 colour options plus any RAL colour

Duraflex and Eurocell Framing options including woodgrains and colour-matched ColourLine framing options

Trojan door hardware and furniture including heritage options

Standard hinges and locks from Ingenious, Heritage and auto-locking options from Winkhaus

Six-pin anti-drill and pick cylinders as standard with the UKAS accredited 3-star BSI TS007 tested Ingenious cylinder, also available as an upgrade option





slidersuk

Contact a member of the sales team on 01772 698222
or email sales@sliders-uk.com to find out more.

www.sliders-uk.com

Images shown are for illustration purposes only.



High precision manufacture

We employ the strictest quality management system, going far beyond our BSI approved controls.

This includes the manufacture of doors on rigs, which means that all running and door operation is fully tested before doors leave the factory floor.

Fully wrapped and delivered by our dedicated fleet, it means that we're able to offer you guaranteed quality and service.