



Your local Liniar stockist:

LINIAR WINDOWS

SPECIFIER'S GUIDE

Issue 3



All installers of Liniar products are independent companies and whilst we will periodically monitor installers' performance, Liniar cannot give any contractual guarantees in respect of installation standards. In the unlikely event that you encounter any problems with an installation of Liniar products please contact our customer service department, who will endeavour to assist you.



Manufactured in the UK

Flamstead House • Denby Hall Business Park • Denby • Derbyshire • DE5 8JX
Tel: 01332 883 900 • Fax: 01332 883 901
Email: sales@liniar.co.uk • Web: www.liniar.co.uk

Liniar Ltd is a division of Flamstead Holdings

Liniar is a new name in the windows industry – designed by a team with bags of experience and a different attitude. At Liniar we understand the problems faced by fabricators. That's why, when we created our system, we worked hard to design these issues out.



Strength from Within

Take the issue of steel reinforcement, for example. We know you don't like having to cut steel. So we designed our system with a unique reinforcement system that substantially reduces the need to use steel. Of course, we have provided screw retaining pockets for hardware but other than that, our system reinforces itself! So you can spend more time fitting windows and less time constructing them. And that's just one of the many features that make the Liniar system so different.



A Greener View

Take the issue of Window Energy Ratings (WER's) for example. Most manufacturers are scrambling to achieve an 'A rating' with products designed years ago. Not Liniar – we have designed a brand new system, capable of producing class leading results, right out of the box.



Unleaded

Take the issue of eliminating the use of lead stabilisers, for example. All manufacturers are committed to solving the problem, whatever it takes. Some are scratching their heads trying to figure it out. Not Liniar – we have created a 100% lead free system right out of the box. And that's just one of the many features that make the Liniar system so different.



Liniar Company Profile

HL Plastics manufactures an impressive array of standard and bespoke products, utilising both extrusion and moulding technologies, supported by a range of secondary processes for specialist finishing.

Design, tool making and manufacturing are all housed in our state-of-the-art facility, which contains some of the most advanced extrusion and moulding equipment available. Well known for our capabilities as a trade supplier of extruded profiles and injection moulded products, HL also manufactures PVCu decking, fencing, and caravan veranda products - marketed under the brand of our sister company Liniar.

To find out more about Liniar products or to get a quote, please contact us:

Liniar Windows, Flamstead House, Denby Hall Business Park, Denby, Derbyshire, DE5 8JX
Tel: **01332 883 900** Fax: **01332 883 901** sales@liniar.co.uk www.liniar.co.uk

section 1	
introduction	05
1.1 product development	05
1.2 accreditation	06
1.3 system credentials	07
1.3 quality assurance	07
section 2	
liniar components	08
2.1 main profiles & face sizes	08
2.11 sculptured	09
2.2 cills	10
2.3 beads, reinforcements & ancillaries	11
2.4 ancillaries, continued	12
2.5 ancillaries, continued	13
section 3	
typical assemblies	14
3.1 casement windows internally glazed	14
3.2 casement windows externally glazed	15
3.3 tilt & turn window	16
3.4 residential door internally glazed	17
3.5 french door internally glazed	18
3.6 french door meeting stile assembly	19
3.7 pivot window internally glazed	20
3.8 tilt & slide patio door internally glazed	21
section 4	
joint assemblies	22
4.1 butt joints	22
4.2 variable joints	23
4.3 fixed joints	24

section 5	
wind loading	25
5.1 LCW011 / LCW016 / LCW021 / LCW022	25
5.2 LCW026 / LCW027 / LCW029	26
5.3 LCW031 / LCW032 / LCW035	27
5.4 LCW036 / LCW037	28
5.5 LAN211 / LAN212 / LAN213	29
5.6 LAN231 / LAN232 / LAN233 / LAN251 LAN252 / LAN253	30
section 6	
load bearing capacity	31
6.1 technical information	31
6.2 LAN211 / LAN212	32
6.3 LAN213 / LAN231	33
6.4 LAN232 / LAN233	34
6.5 LAN251 / LAN252	35
6.6 LAN253	36
section 7	
energy ratings	37
7.1 energy ratings	37
7.2 liniar windows system for the energy conscious	38
section 8	
notes	39

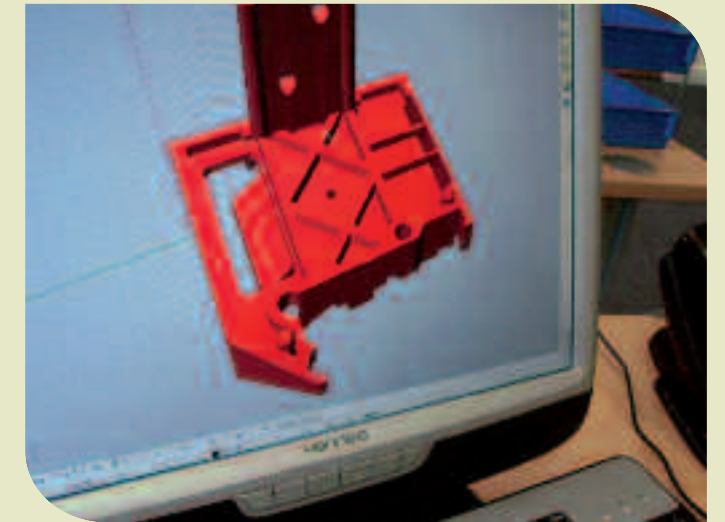
Product Development

The new Liniar window system is the latest exciting addition to the popular home and garden range. Although Liniar is a new name in the windows market, Managing Director Roger L Hartshorn has been highly influential in the industry for many years, and he's assembled a team of specialists to develop the new windows range.

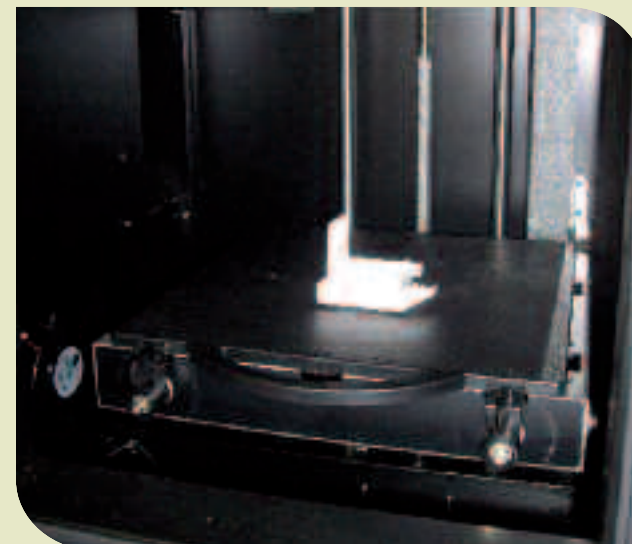
Experienced Personnel



Solid Works Software



Rapid Prototype Machine



Production Moulding



Accreditation

Window sizes and level of performance

BSI Kitemarks:

BS EN 12608:2003
 KM522037

PVCu profile for the fabrication of windows and doors.

BS7950:1997
 KM522039

Specification for enhanced security performance of casement and tilt/turn windows in domestic applications.

PAS 23-1:1999
 KM522040

General Performance requirements for door assemblies.

PAS 24-1:1999
 KM522040

Enhanced security performance requirements for door assemblies.

BS7412:2007

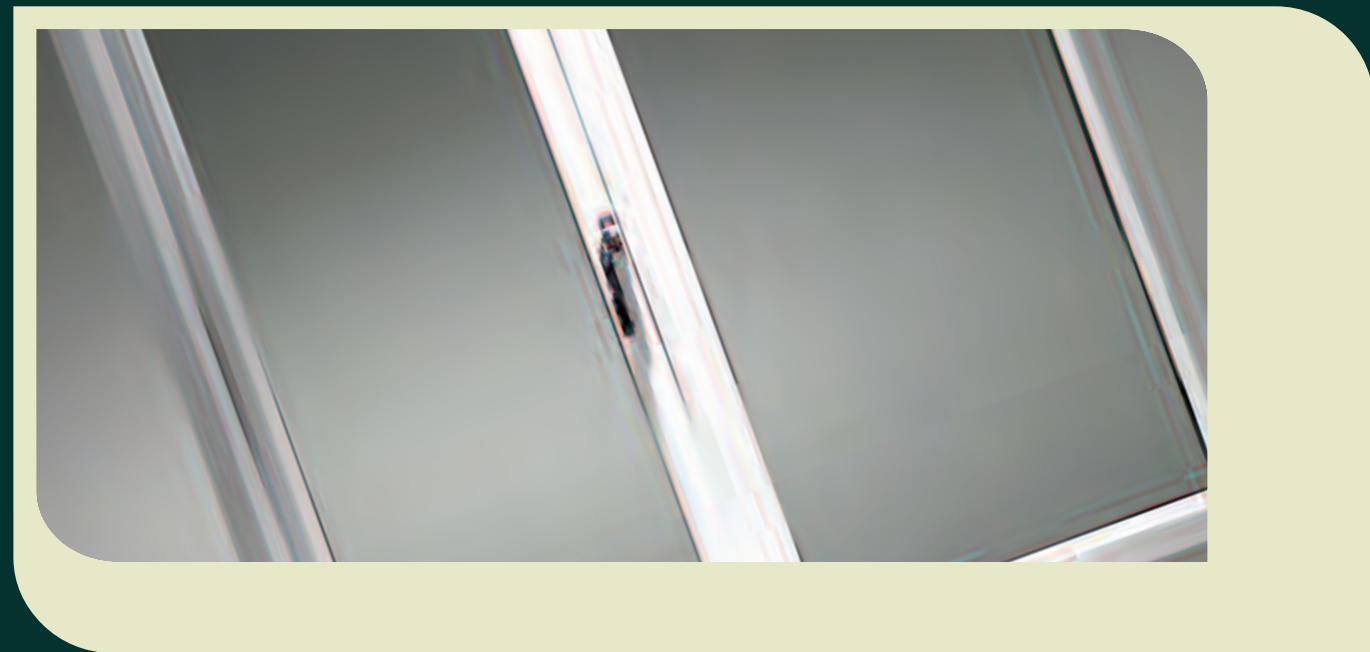
Specification for windows and doorsets made from PVCu extruded hollow profiles. Meets the requirements of, enabling fabricators to achieve the kitemark.

ISO 9001:2000
 FM524961

Quality management systems requirements.



Liniar window and door system has gained Secured By Design status by The Association of Chief Police Officers.



System Credentials

- High gloss, lead free materials used in the manufacture of all frames & ancillary products.
- WER 'A' rating for thermal efficiency is achievable with many glazed unit combinations.
- Designed specifically as a pre-gasketed system, featuring a patented double-action bubble gasket on all frames. No corner cleaning of the gasket or inner rebate required. Patent UK0802551.2.
- Enclosed screw retaining pocket within both outer & sash frames, typically halving the steel requirement. Quicker & cheaper to manufacture, easier to re-cycle.
- Choice of chamfered & sculptured systems available, fully inter-changeable.
- Symmetrical drainage for rebate & bead areas on all profiles.
- Identical bead & rebate detail, ideal for internal glazing.
- Snap together feature on 165mm cill, outer frames, low thresholds, frame extensions & 90° corner post.
- Low thresholds available in 'Part M' compliant & standard format, both with shootbolt facility. No end milling of the door jambs required when using the connector moulding. Reg Des UK4006283.
- 22mm backset hardware for both internally & externally beaded sash windows, including night vent facility.
- Equal frame cover on both faces of door sashes.
- Comprehensive range of ancillary products.
- Available in white, rosewood & oak finishes along with foiled on white options.

Quality Assurance

As an accredited ISO9001 company, we are committed to providing a high quality product, time after time.

All elements of the Liniar window system undergo rigorous quality procedures, in line with BS EN 12608:2003.

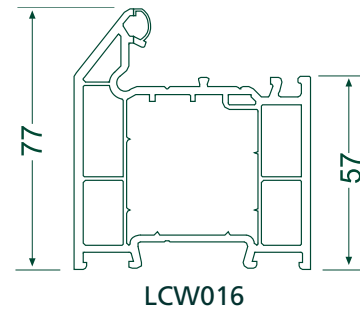
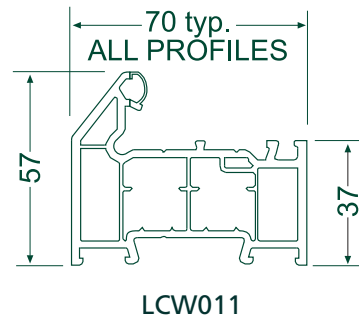
The dedicated staff of the Quality Department use specialist equipment to carry out crucial checks on every profile, 24 hours a day.



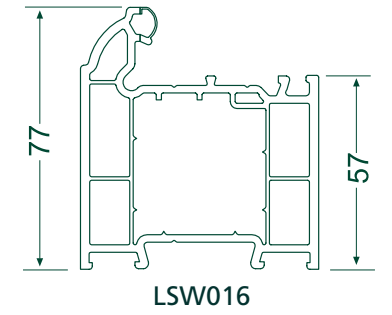
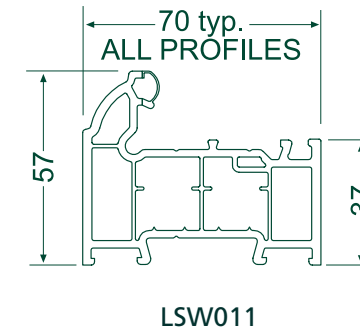
section 2.10
liniar components

section 2.11
liniar components

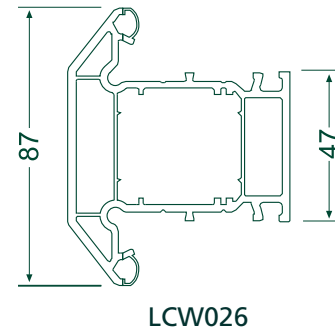
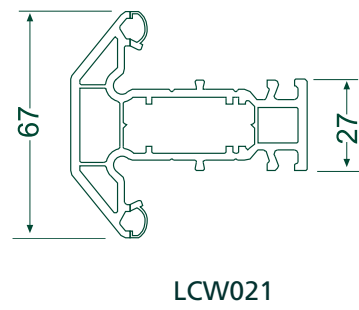
outer frame



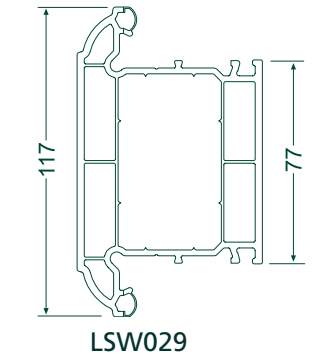
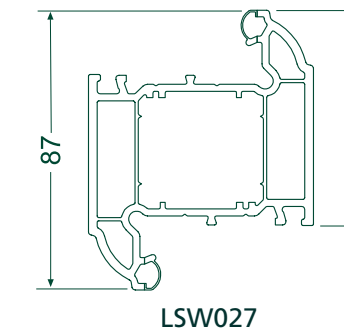
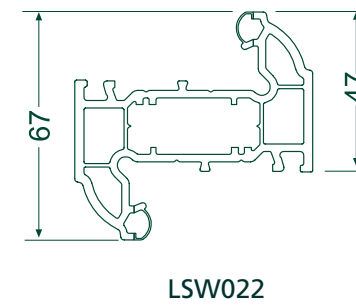
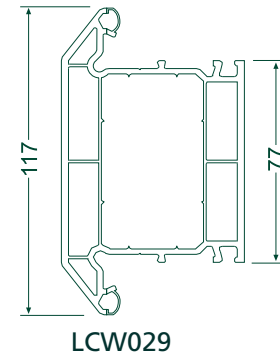
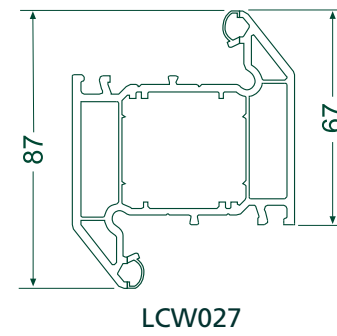
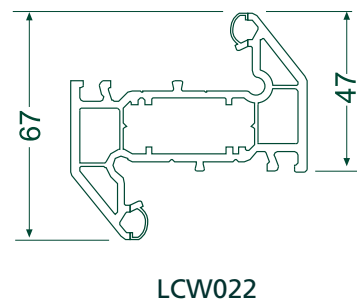
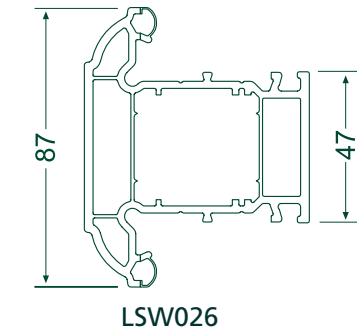
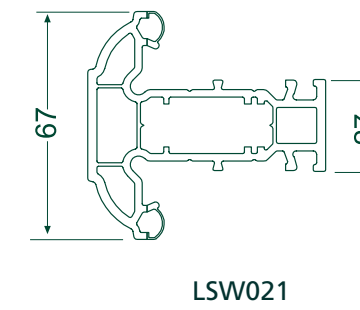
sculptured



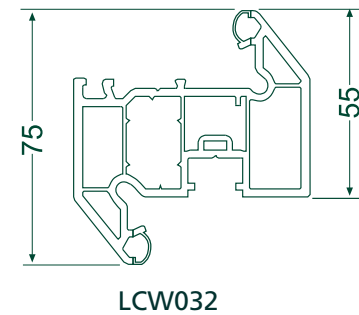
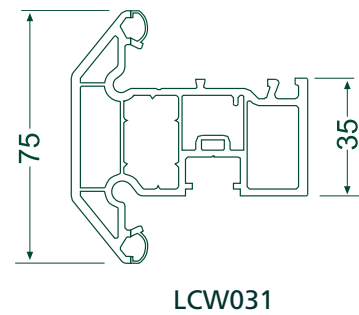
transom / mullion



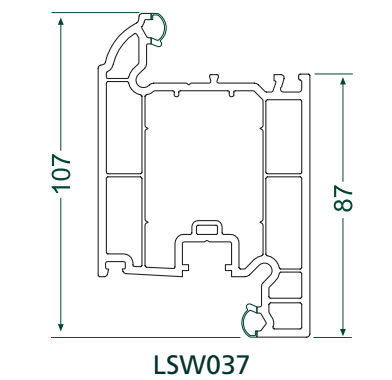
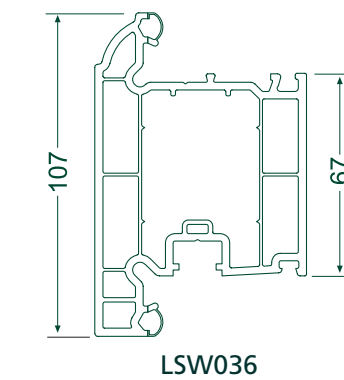
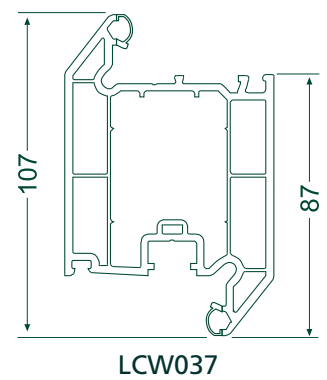
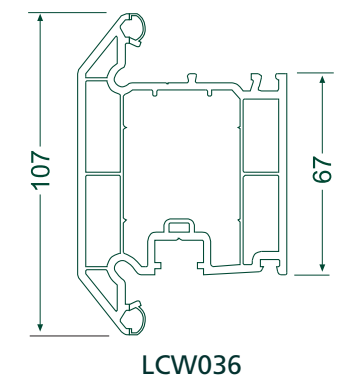
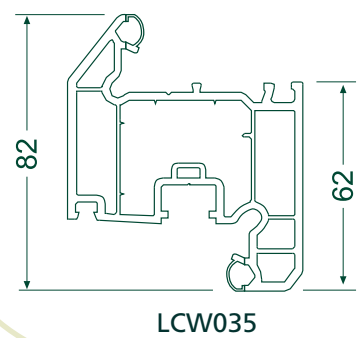
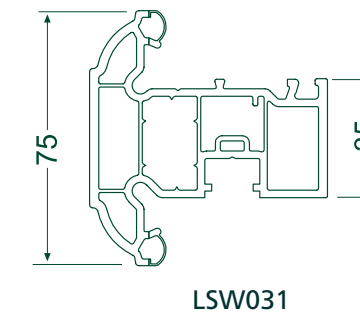
transom / mullion



sash

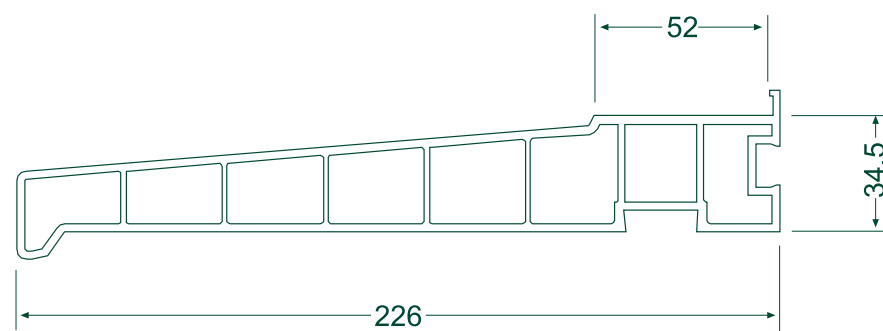
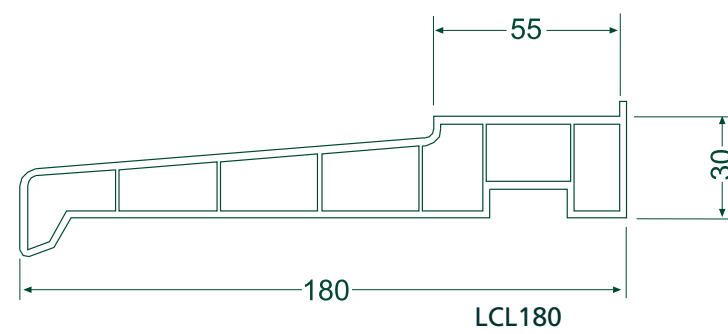
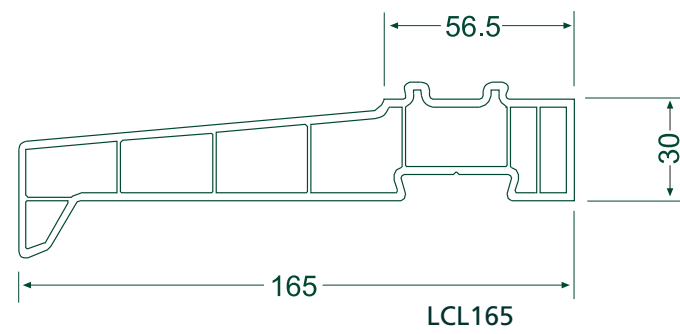
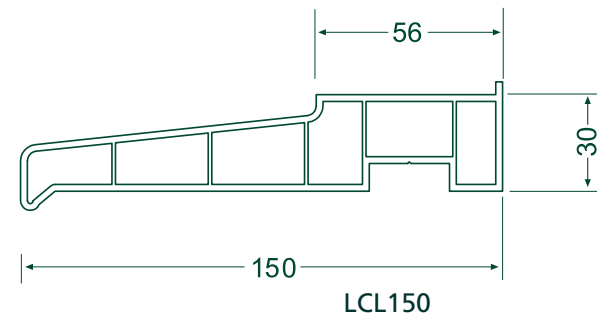
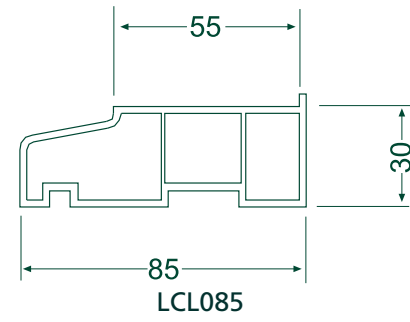


sash



section 2.11
liniar components

cills



section 2.2
liniar components

beads



LCW041



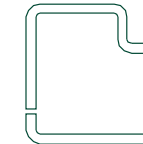
LSW041

reinforcements

steel



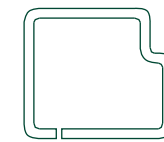
LSR011



LSR016



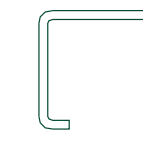
LSR021



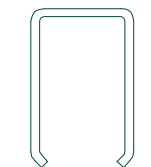
LSR026



LSR031



LSR035

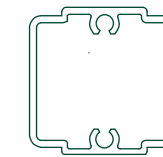


LSR036/36P

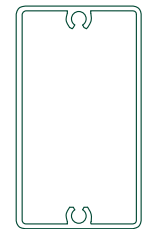
aluminium



LAR021



LAR026



LAR029

ancillaries

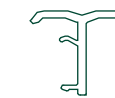
PVCu



LAN101



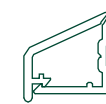
LAN102



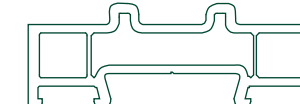
LAN103



LAN104



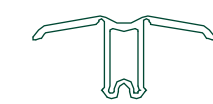
LAN105



LAN106



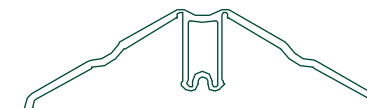
LAN111



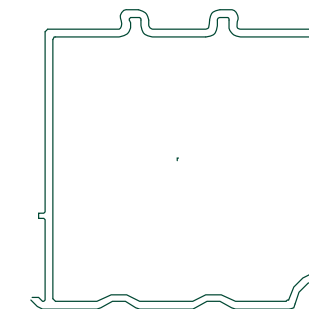
LAN112



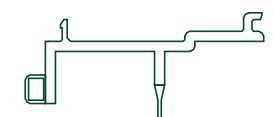
LAN113



LAN131



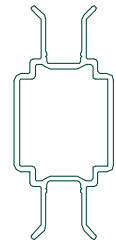
LAN153



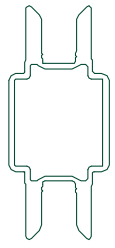
LAN171

section 2.3
liniar components

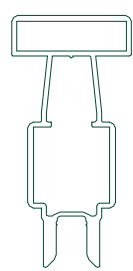
ancillaries
 aluminium



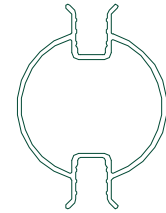
LAN211



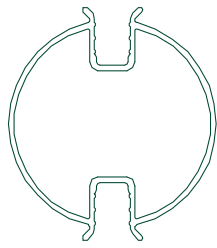
LAN212



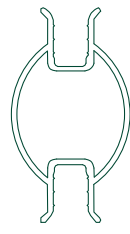
LAN213



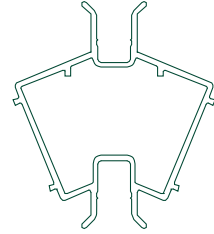
LAN231



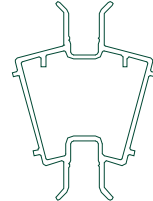
LAN232



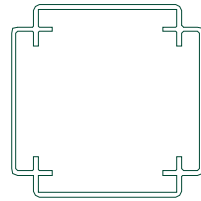
LAN233



LAN251



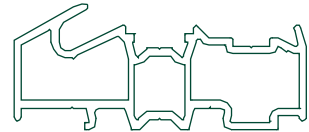
LAN252



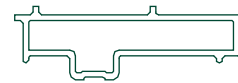
LAN253



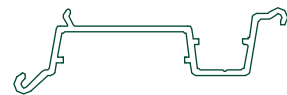
LAN271



LAN272

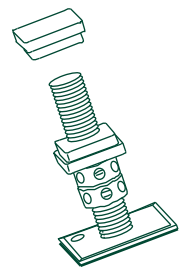


LAN273

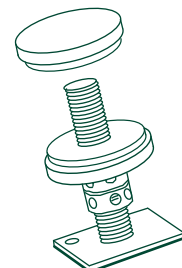


LAN291

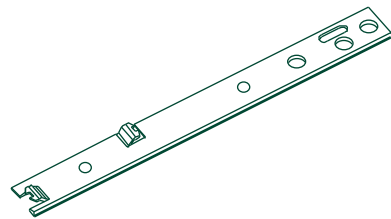
steel



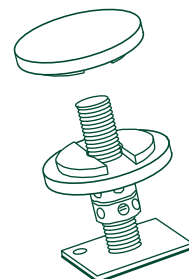
LAN311



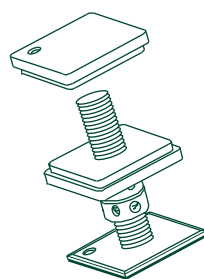
LAN331



LAN301



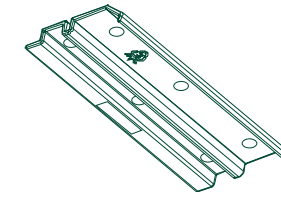
LAN332



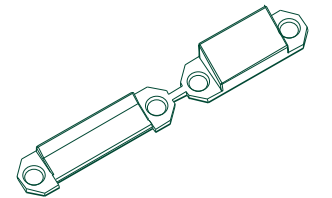
LAN353

section 2.4
liniar components

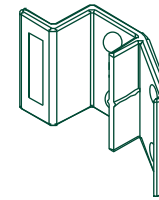
ancillaries
 mouldings



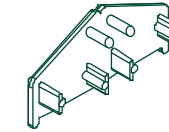
LMO301



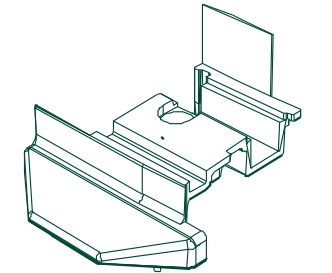
LMO302



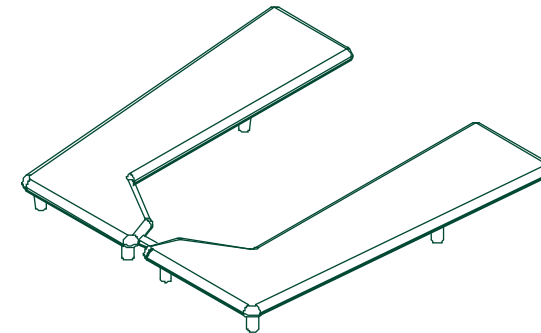
LMO303



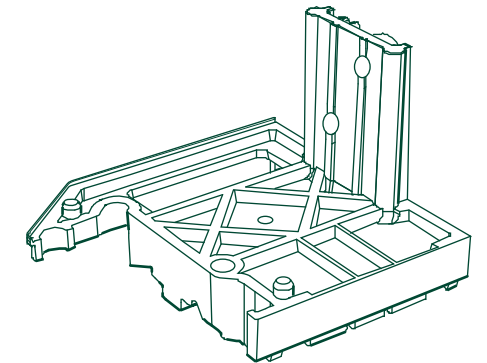
LMO305



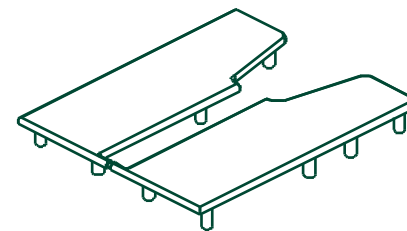
LMO321
 (sculptured LMO322)



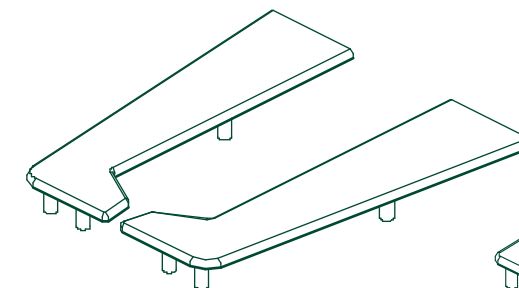
LMO365



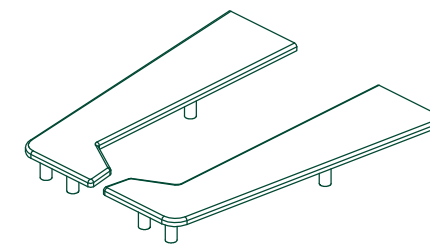
LMO371
 (sculptured LMO372)



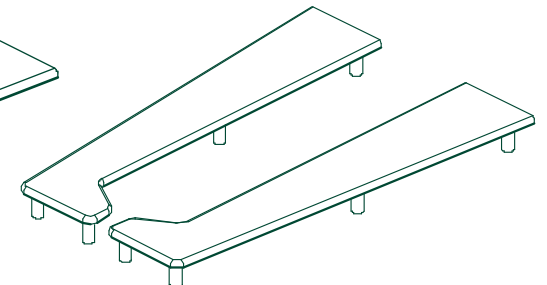
LMO385



LMO325



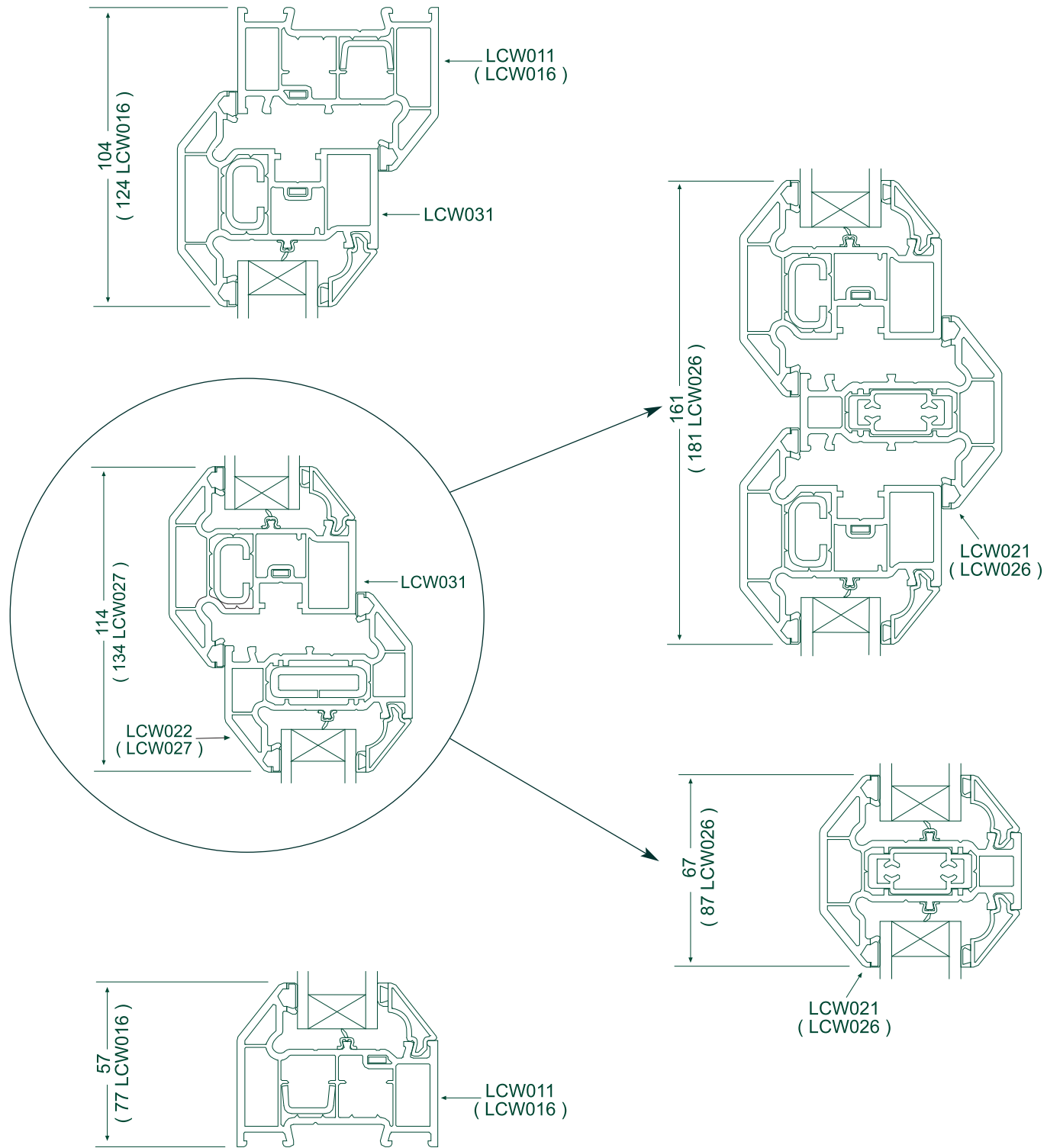
LMO350



LMO380

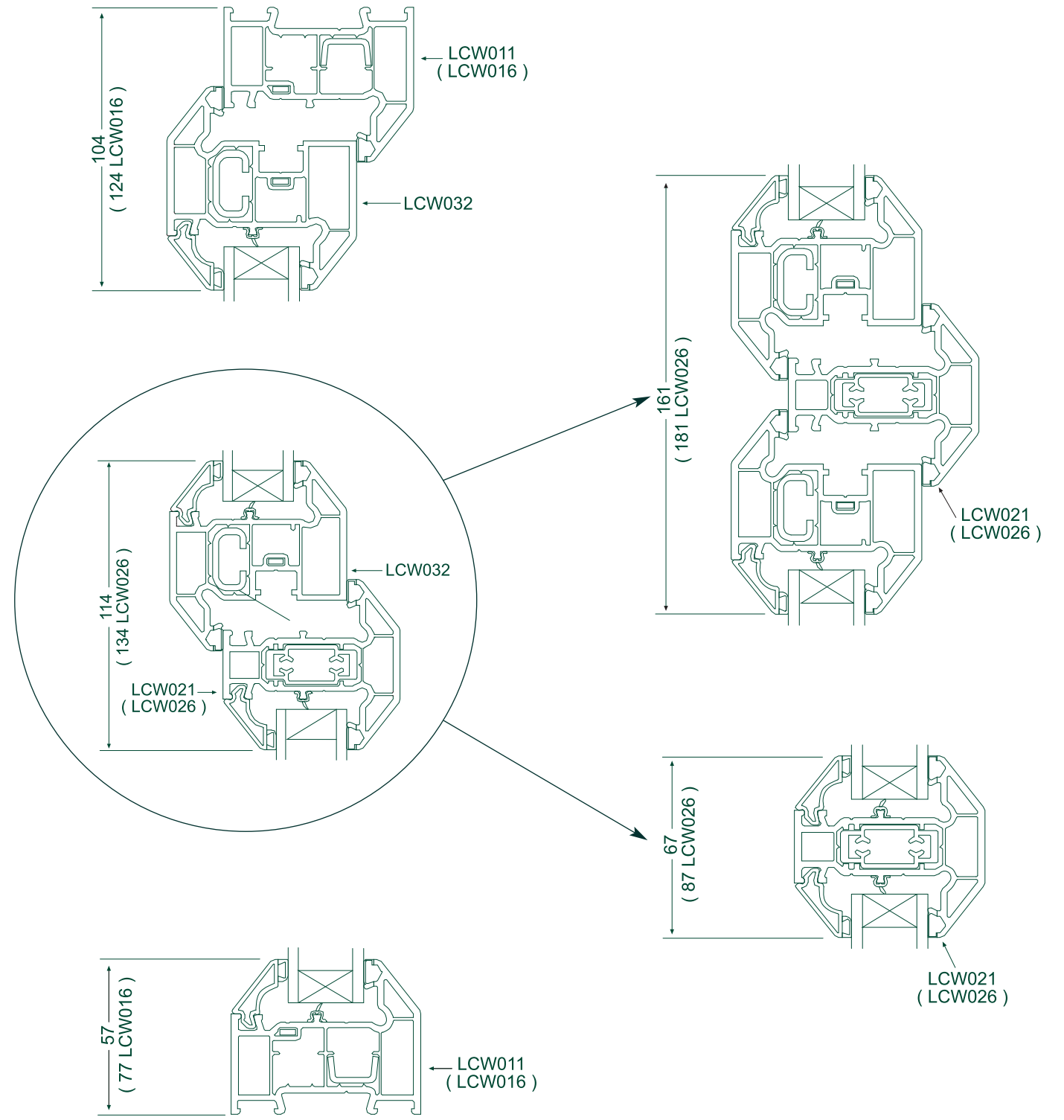
casement window

internally glazed

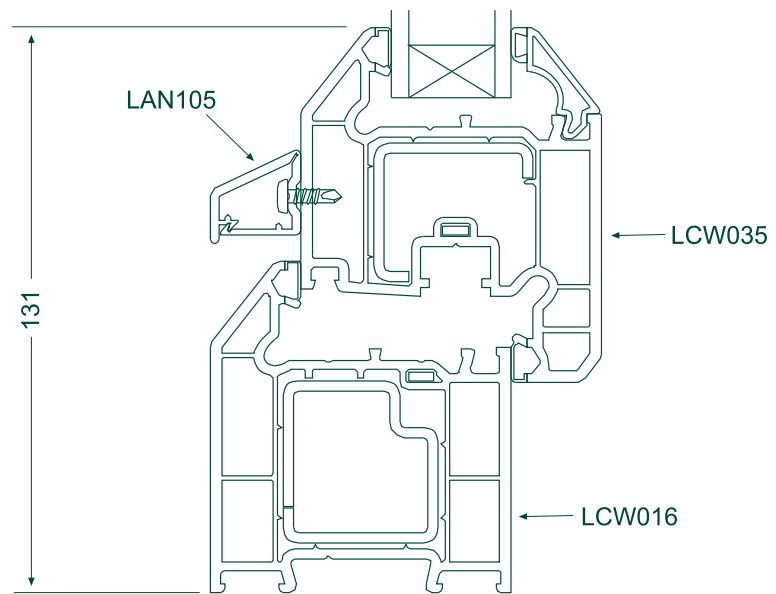
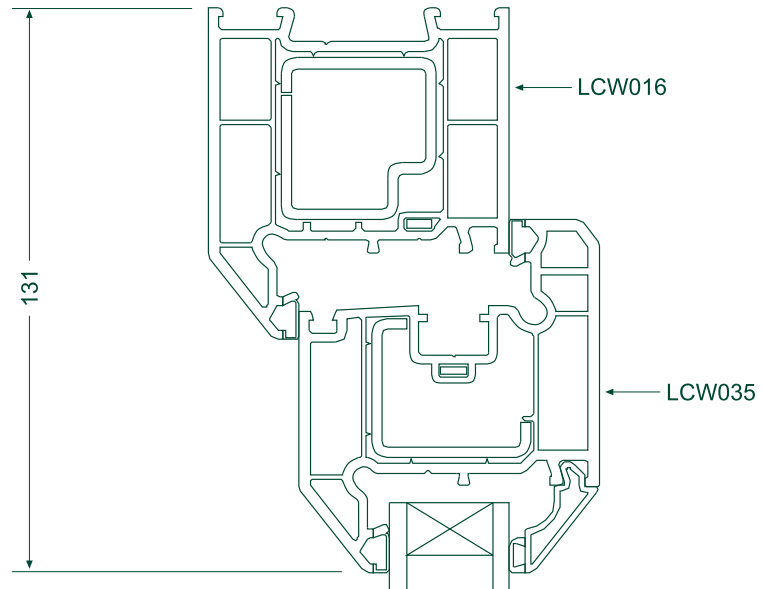


casement window

externally glazed

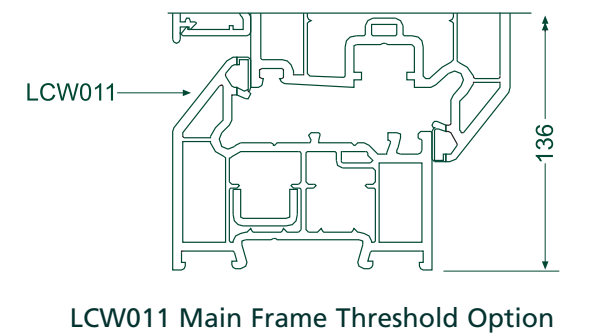
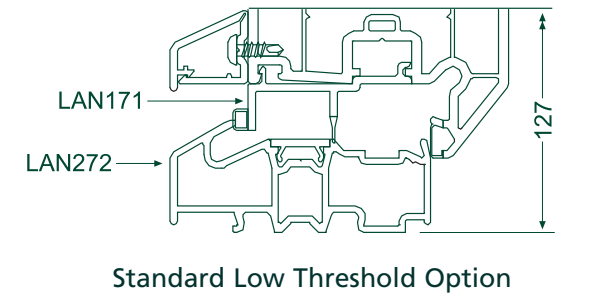
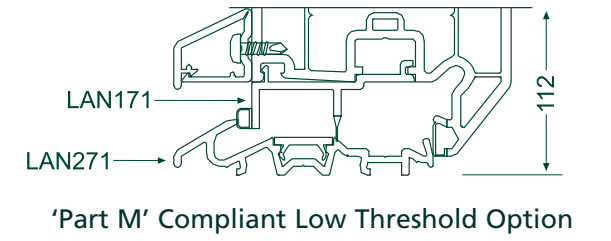
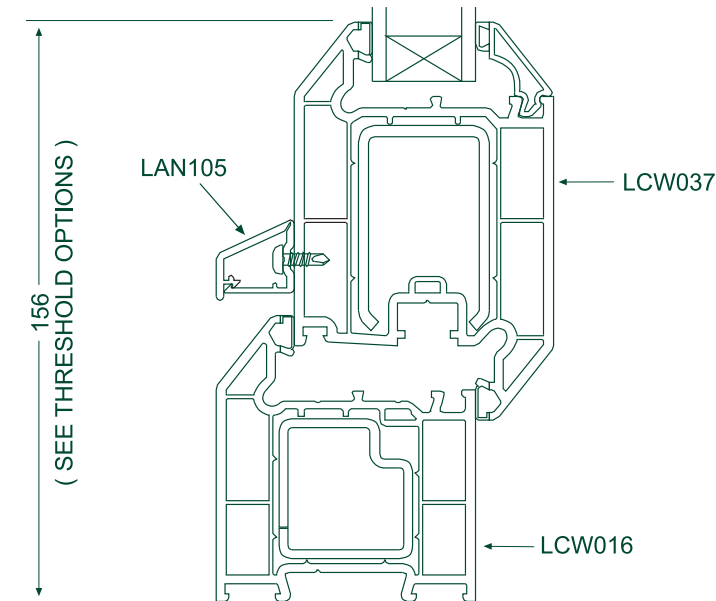
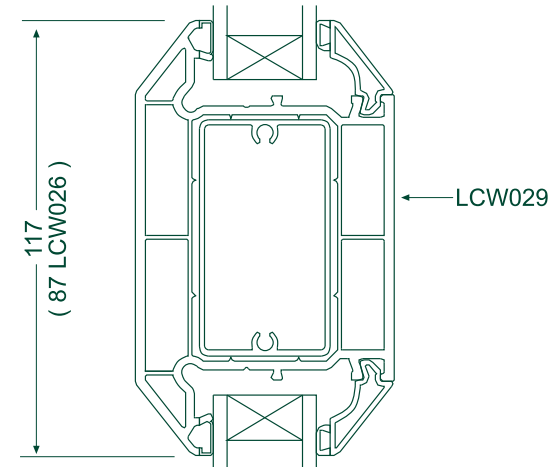
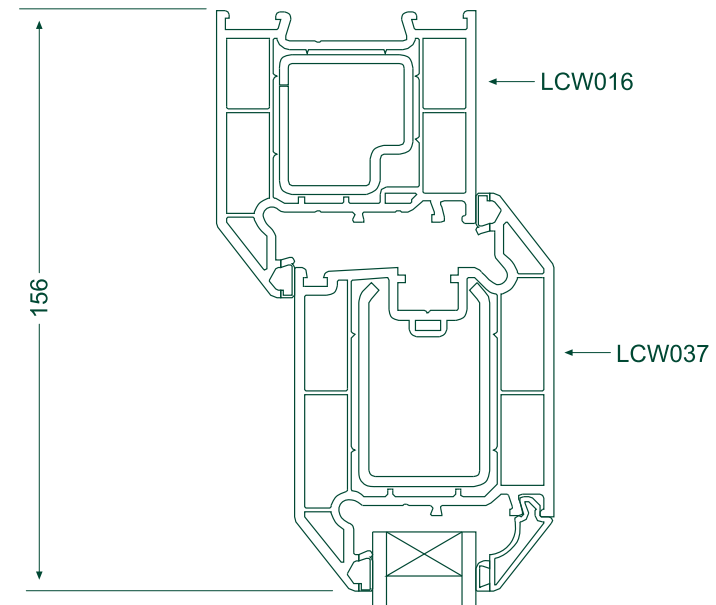


3.3 tilt & turn window



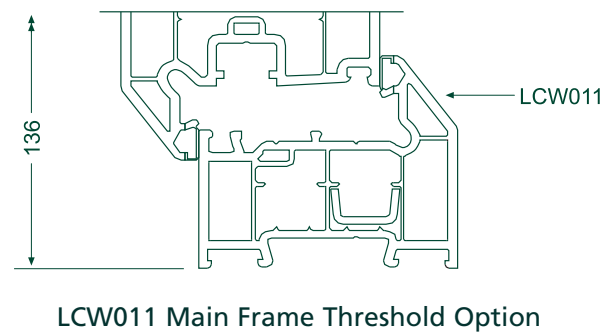
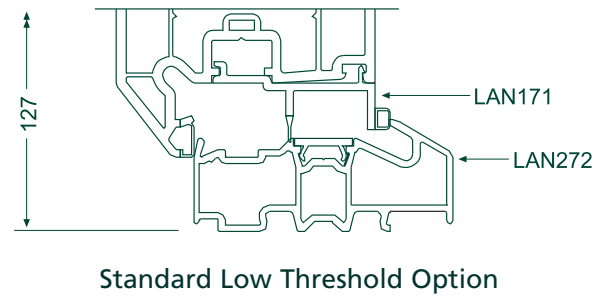
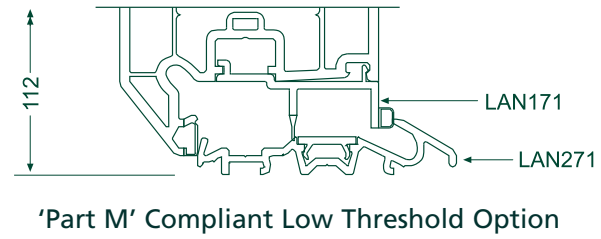
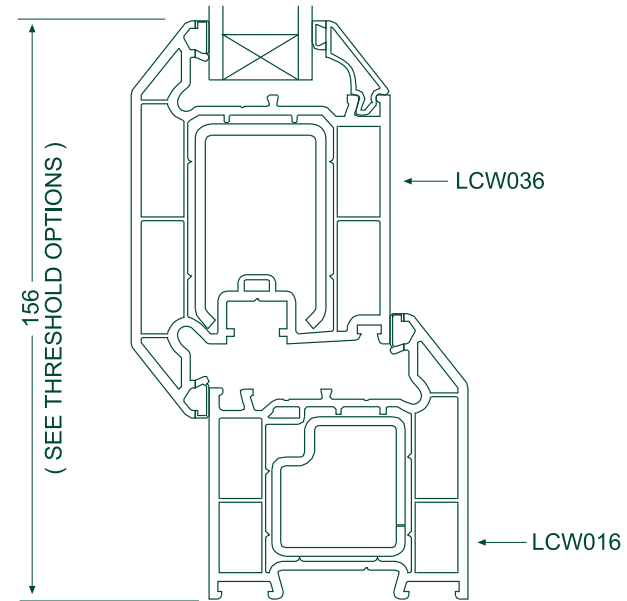
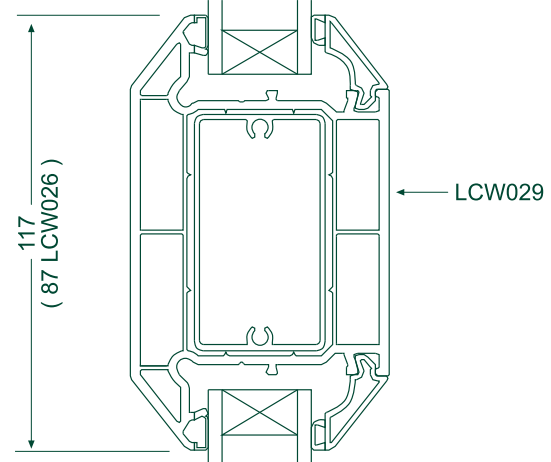
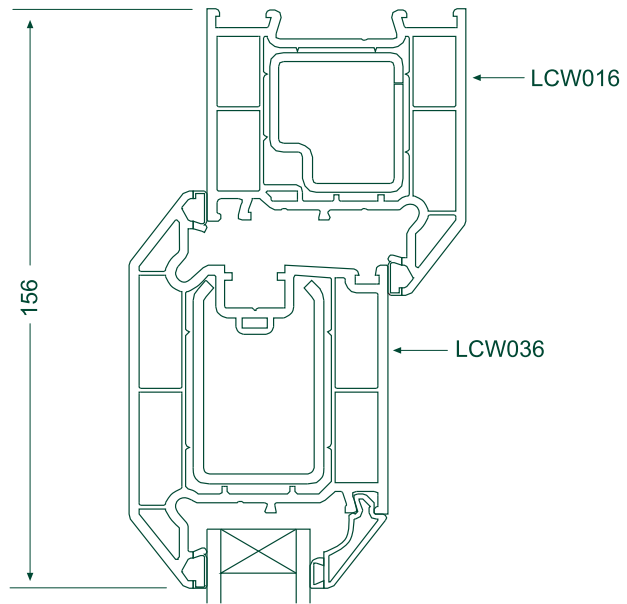
3.4 residential door

internally glazed



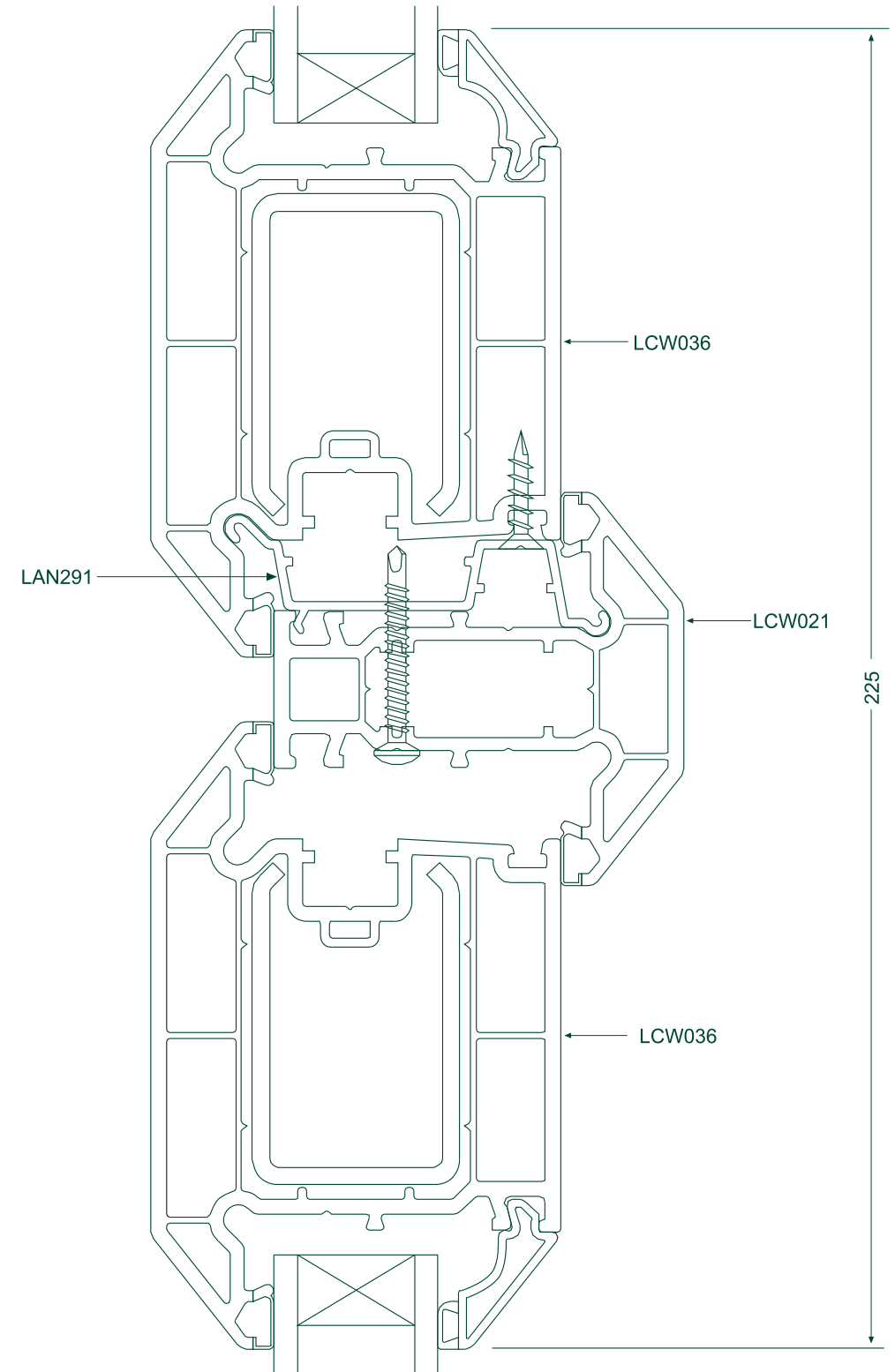
3.5 french door

internally glazed



3.6 french door

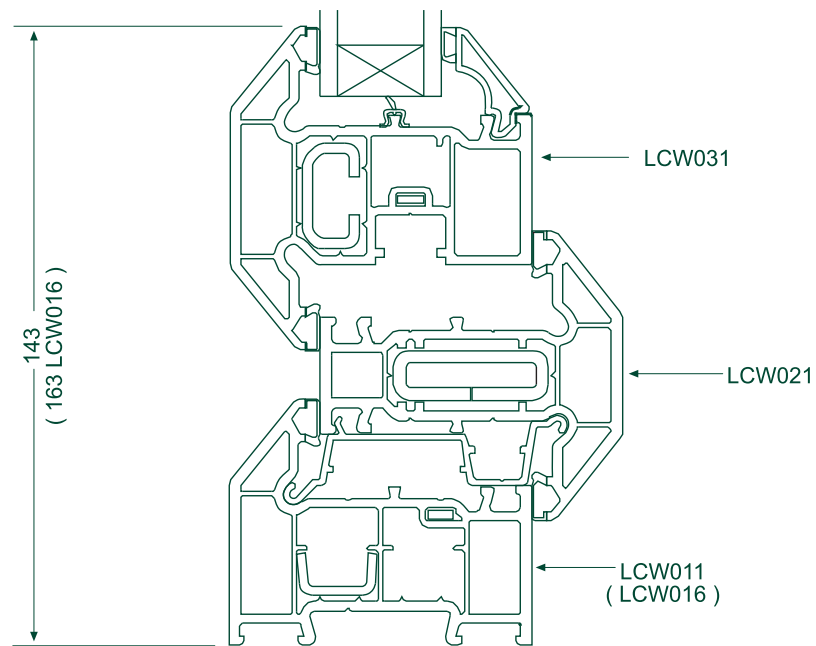
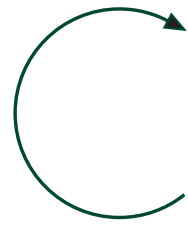
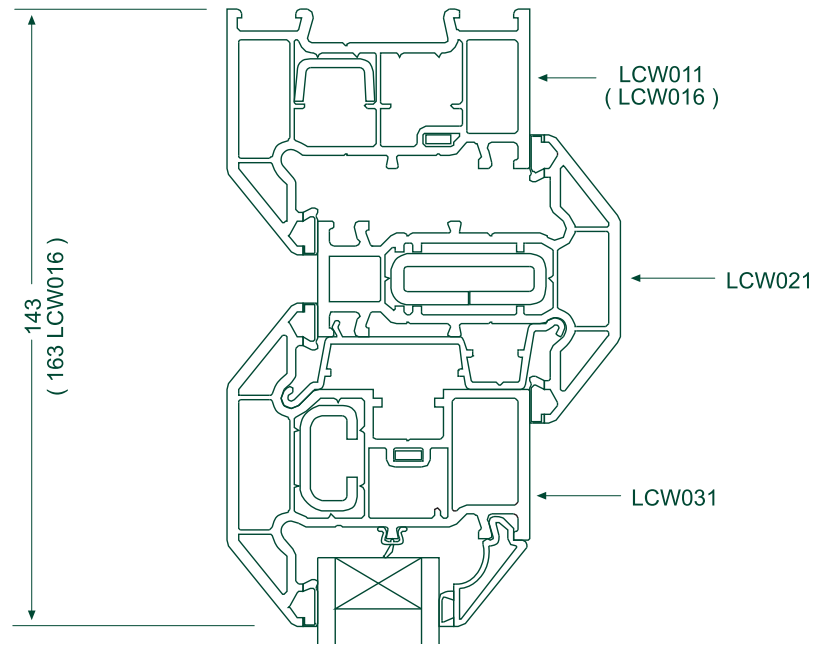
meeting stile assembly



3.7

pivot window

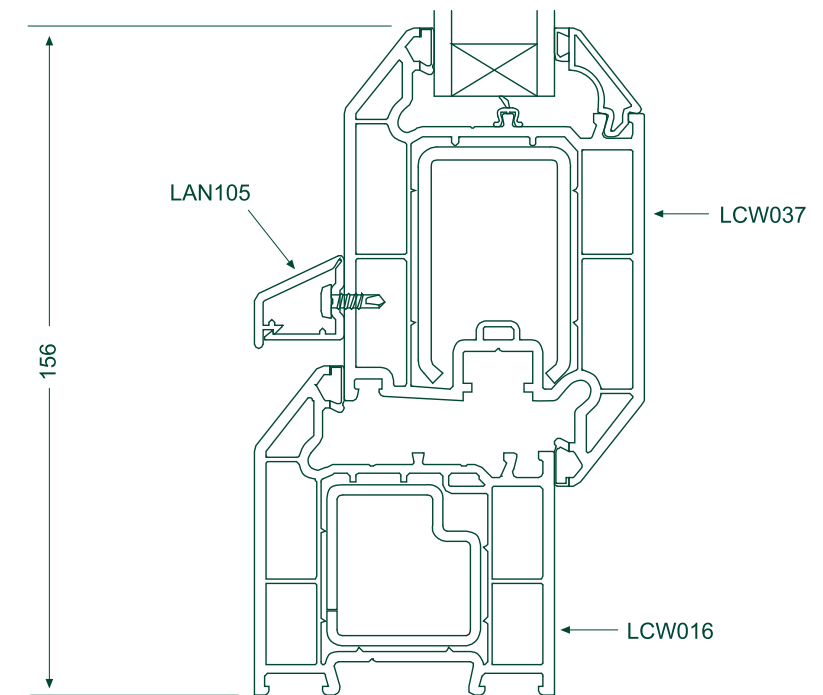
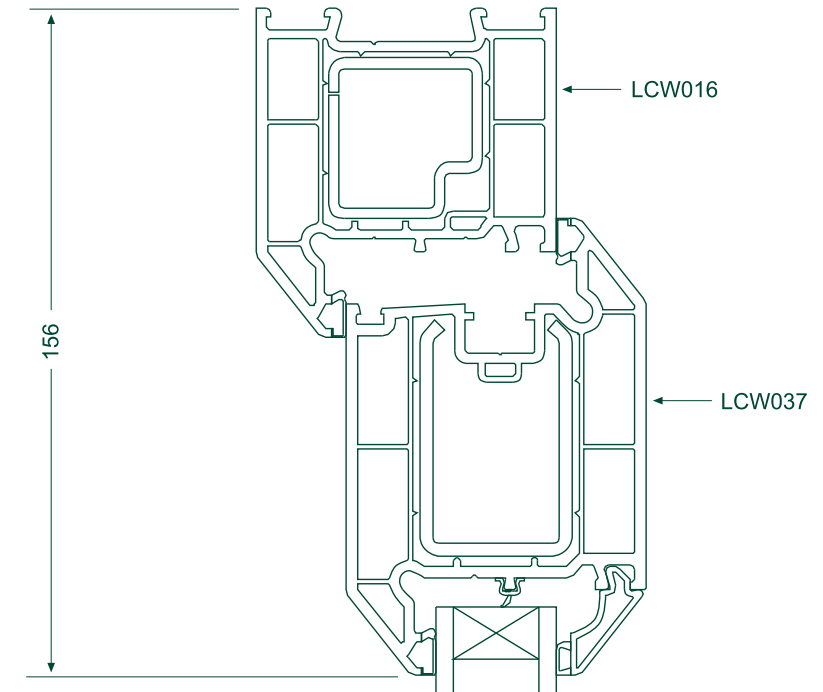
internally glazed



3.8

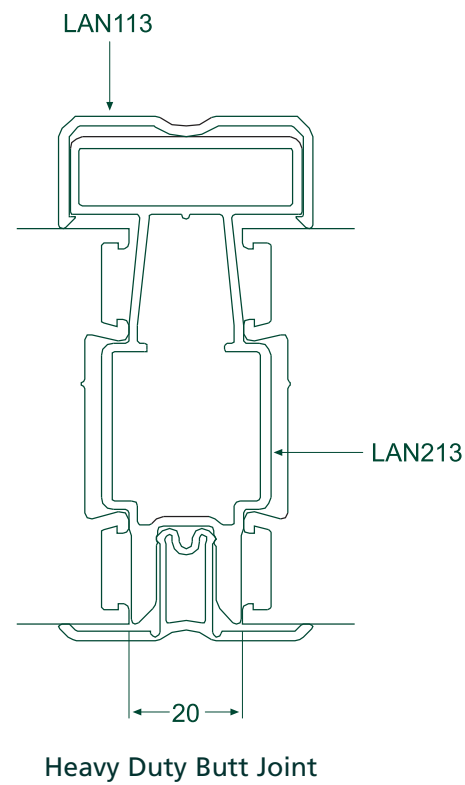
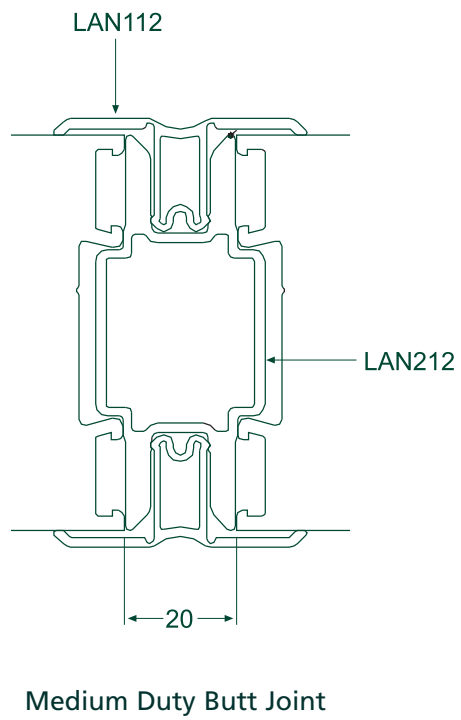
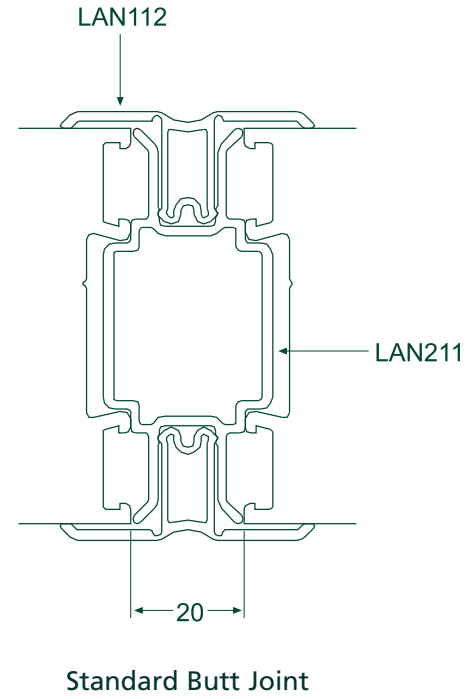
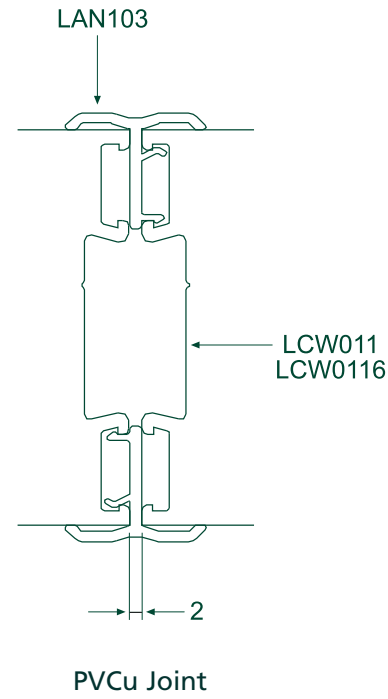
tilt & slide patio door

internally glazed



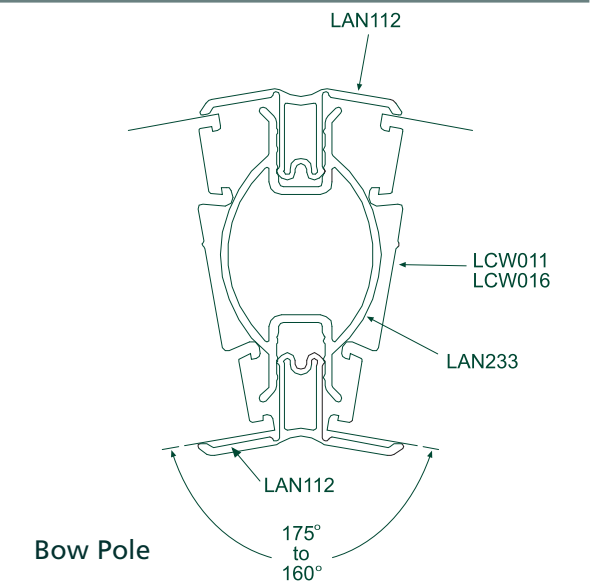
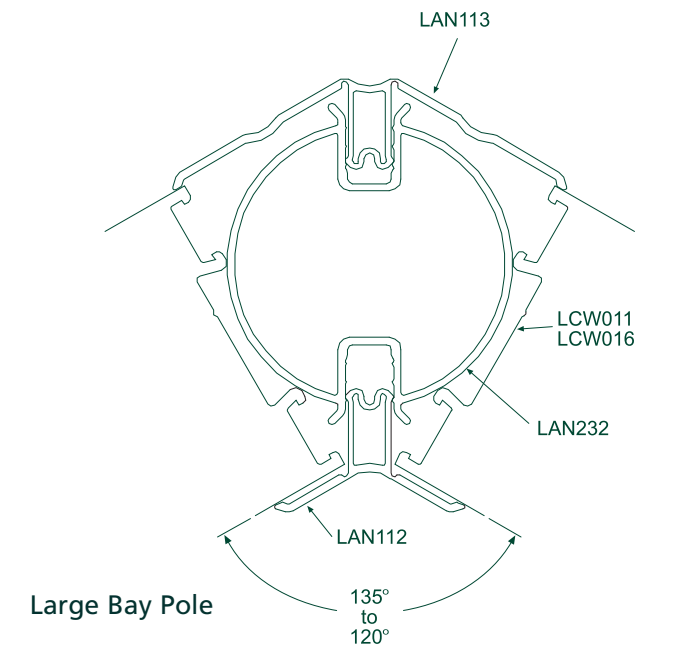
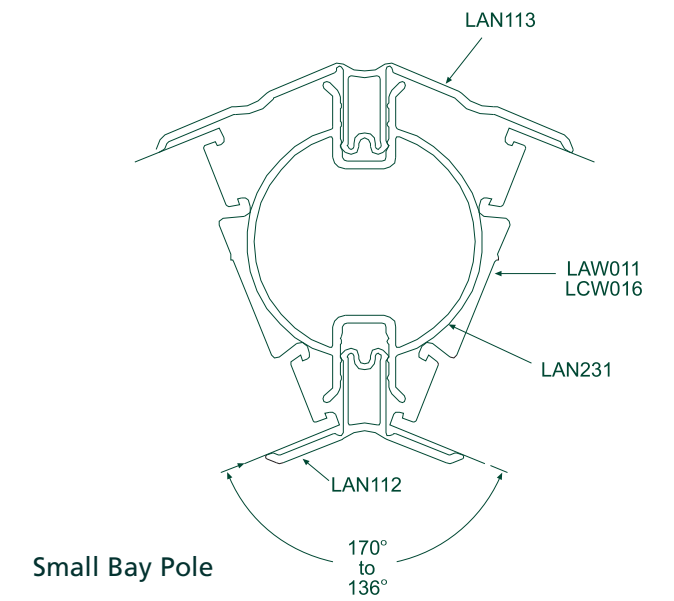
4.1 joint assemblies

butt joints



4.2 joint assemblies

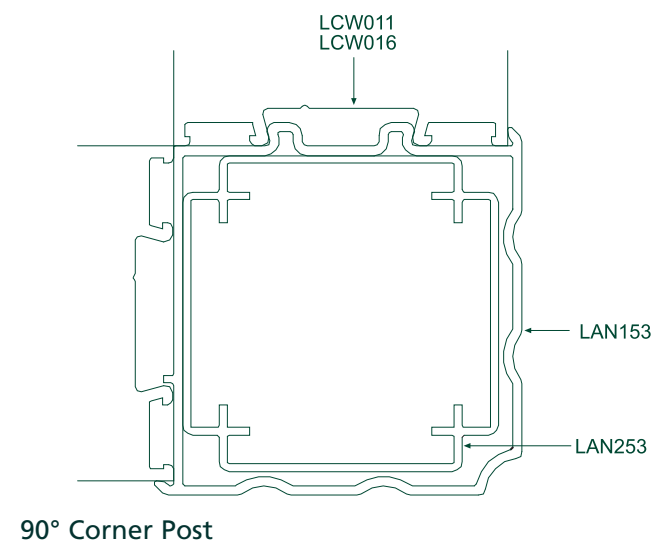
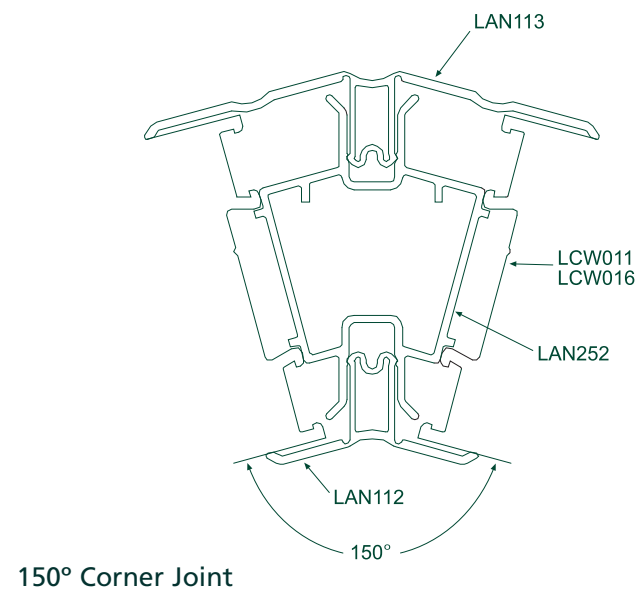
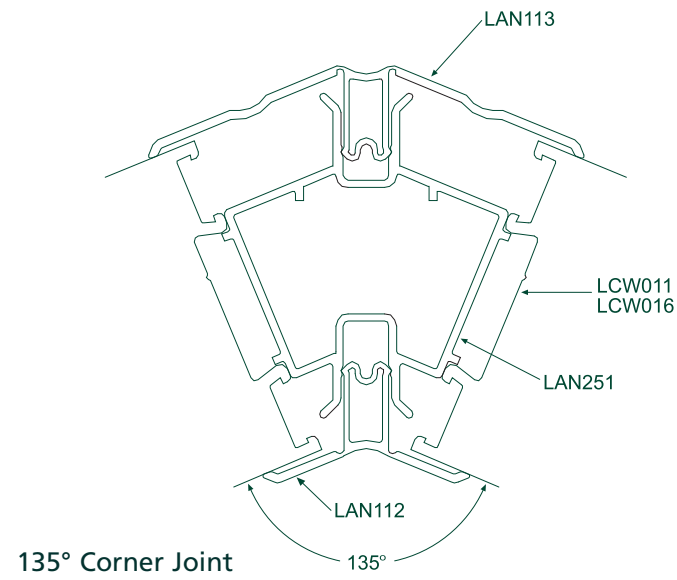
variable joints



4.3 joint assemblies

section 5.1 wind loading

fixed joints



$\times 10^9 \text{ N/mm}^2$

	Steel	Aluminium
LCW011	<p>Elyy = 1.026 (sculptured 1.040)</p>	<p>Elyy = 1.338 (sculptured 1.352)</p>
LCW016	<p>Elyy = 1.397 (sculptured 1.411)</p>	<p>Elyy = 7.436 (sculptured 7.450)</p>
LCW021	<p>Elyy = 0.961 (sculptured 0.984)</p>	<p>Elyy = 2.961 (sculptured 2.984)</p>
LCW022	<p>Elyy = 1.003 (sculptured 1.035)</p>	<p>Elyy = 3.003 (sculptured 3.035)</p>

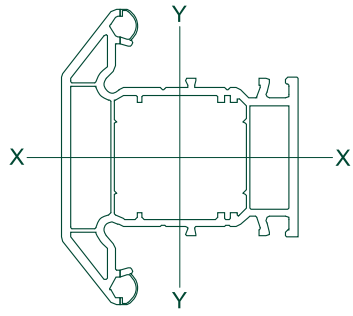
section 5.2
wind loading

$\times 10^9 \text{ N/mm}^2$

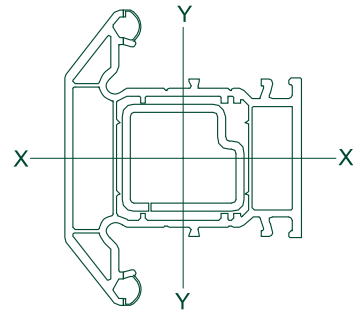
Steel

Aluminium

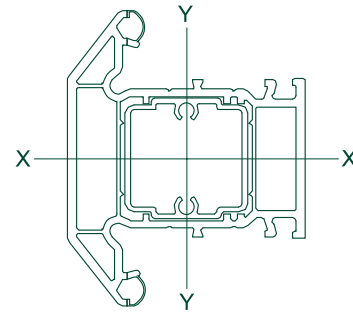
LCW026



Elyy = 1.300
(sculptured 1.324)

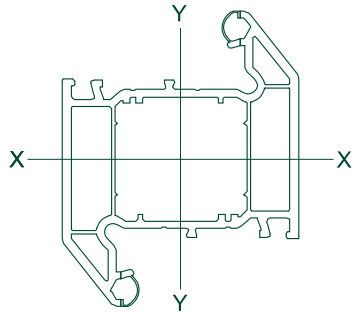


Elyy = 6.631
(sculptured 6.655)

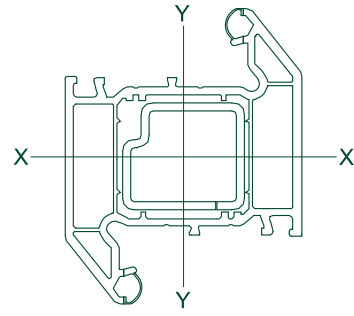


Elyy = 3.724
(sculptured 3.748)

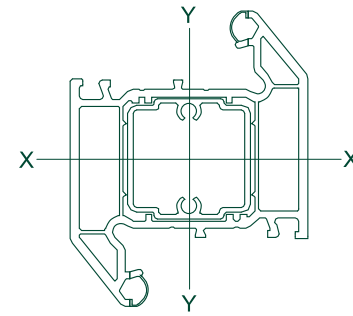
LCW027



Elyy = 1.335
(sculptured 1.367)

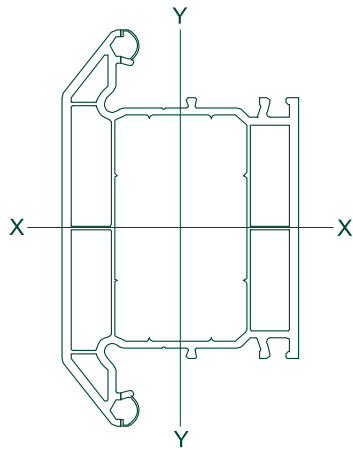


Elyy = 6.666
(sculptured 6.698)

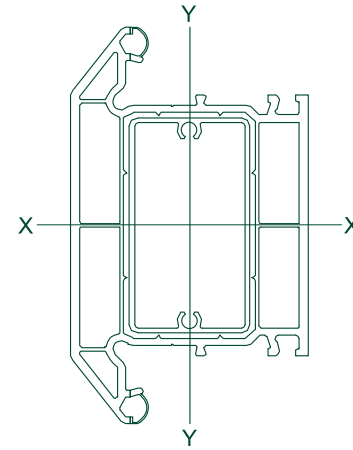


Elyy = 3.759
(sculptured 3.791)

LCW029



Elyy = 1.832
(sculptured 1.858)



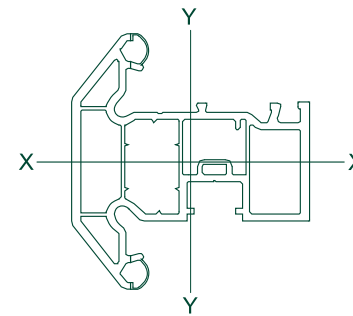
Elyy = 5.932
(sculptured 5.958)

section 5.3
wind loading

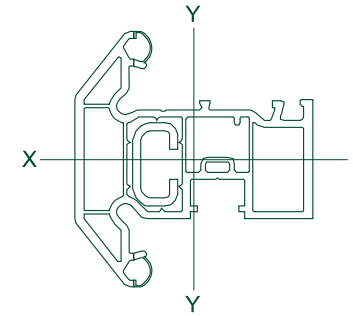
$\times 10^9 \text{ N/mm}^2$

Steel

LCW031

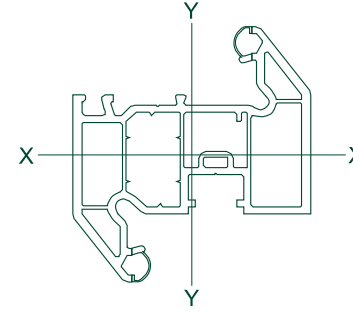


Elyy = 1.070
(sculptured 1.095)

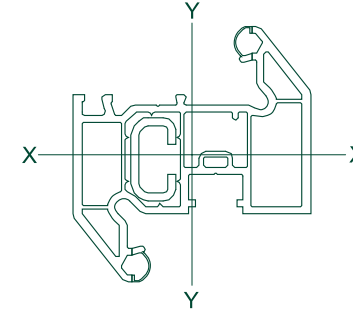


Elyy = 1.395
(sculptured 1.420)

LCW032

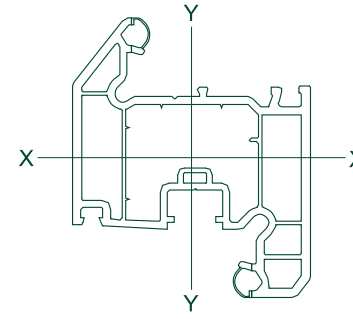


Elyy = 1.112

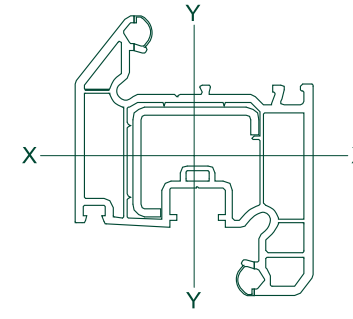


Elyy = 1.437

LCW035



Elyy = 1.346



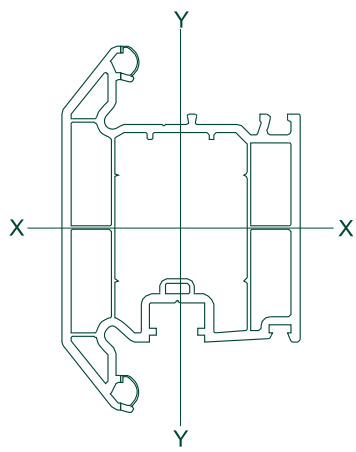
Elyy = 4.563

section 5.4
wind loading

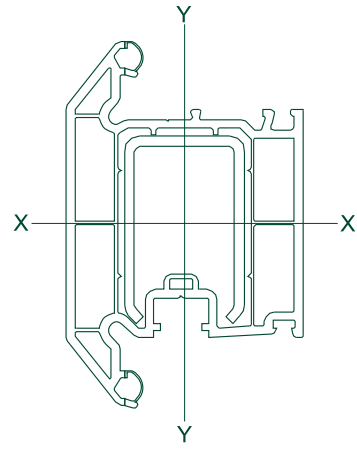
$\times 10^9 \text{ N/mm}^2$

Steel

LCW036

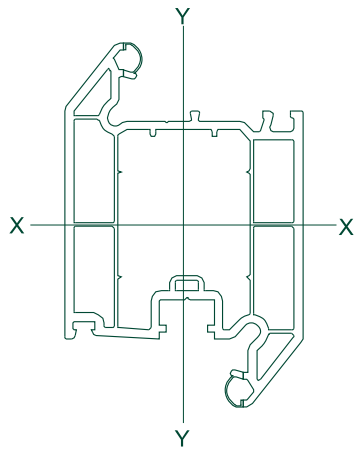


Elyy = 1.703
 (sculptured 1.818)

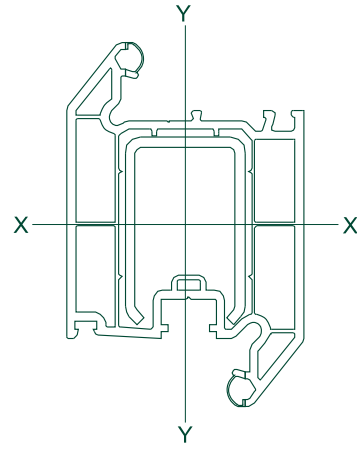


Elyy = 12.023
 (sculptured 12.138)

LCW037



Elyy = 1.739
 (sculptured 1.885)



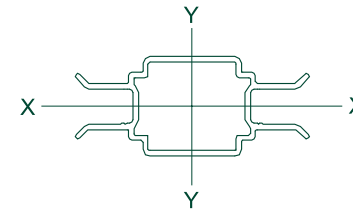
Elyy = 12.059
 (sculptured 12.205)

section 5.5
wind loading

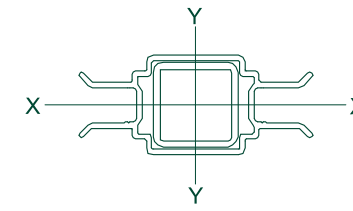
$\times 10^9 \text{ N/mm}^2$

Steel

LAN211

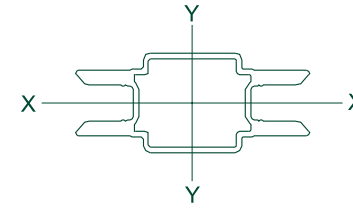


Elyy = 8.008

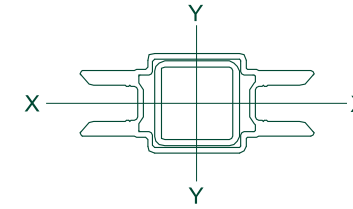


Elyy = 11.325

LAN212

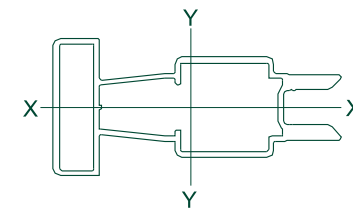


Elyy = 14.820

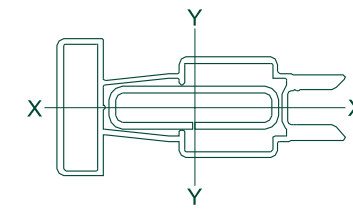


Elyy = 18.137

LAN213

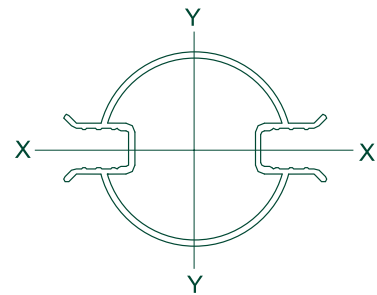


Elyy = 31.365



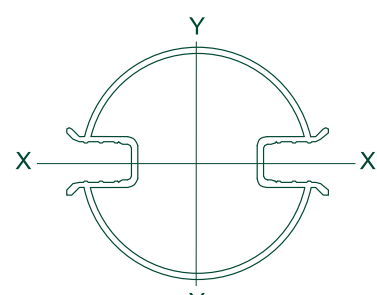
Elyy = 43.251

x10⁹ N/mm²



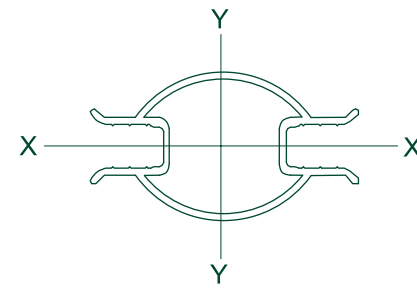
E_{lyy} = 9.878

LAN231



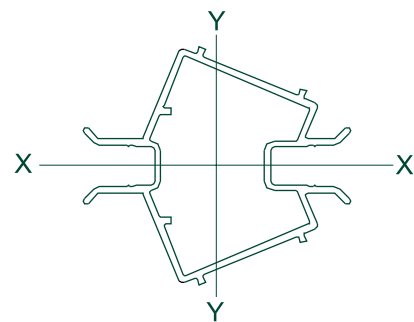
E_{lyy} = 13.118

LAN232



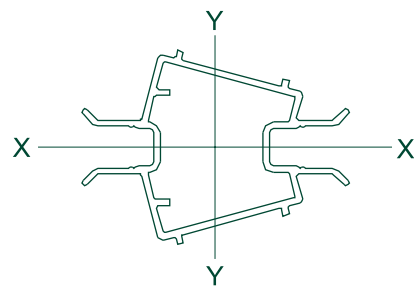
E_{lyy} = 6.750

LAN233



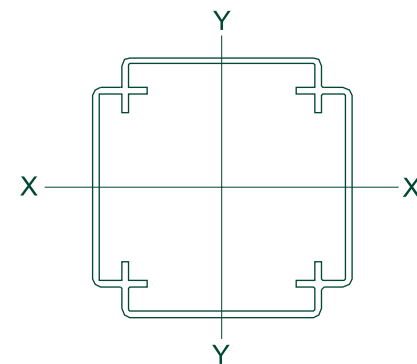
E_{lyy} = 9.537

LAN251



E_{lyy} = 8.762

LAN252



E_{lyy} = 19.079

LAN253

Load Bearing of Joint Profiles

The following 'Load Tables' have been calculated in accordance with BPF Code of Practice for the Survey and Installation of White High Impact PVCu Windows, and are only applicable for those joint profiles restrained at their centre, for example by means of adjacent windows.

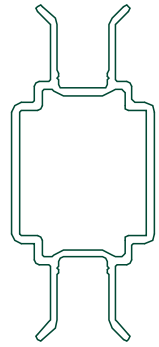
The 'Load Tables' must not be applied to those joint profiles used in isolation.

These tables should be used for guidance only.

N/A - Joint profile IS NOT suitable for load bearing situations at this length and above.

Consult - Joint profile IS suitable for load bearing situations at this length and above. Consult the Liniar Design Office.

load bearing capacity

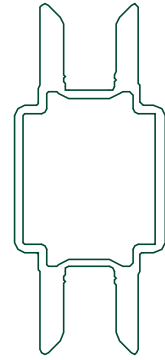


LAN211

Can be used with Butt Joint Jack LAN311

Length mm	Load tonnes
500	2.49
600	2.34
700	2.24
800	2.16
900	2.04
1000	1.92
1100	1.79
1200	1.62
1300	1.38
1400	1.18
1500	1.06
1600	0.94
1700	0.83
1800	N/A

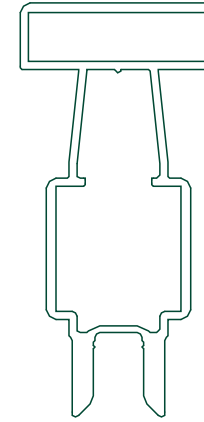
load bearing capacity



LAN212

Can be used with Butt Joint Jack LAN311

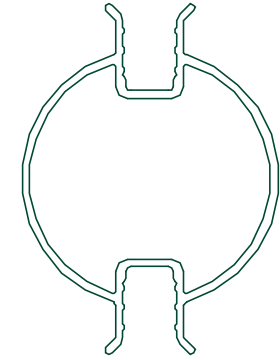
Length mm	Load tonnes
500	3.60
600	3.43
700	3.23
800	3.13
900	2.91
1000	2.72
1100	2.54
1200	2.16
1300	1.85
1400	1.61
1500	1.43
1600	1.24
1700	1.09
1800	N/A



LAN213

Can be used with Butt Joint Jack LAN311

Length mm	Load tonnes
500	4.37
600	4.23
700	4.05
800	3.83
900	3.68
1000	3.53
1100	3.35
1200	3.17
1300	2.98
1400	2.62
1500	2.30
1600	2.01
1700	1.82
1800	1.63
1900	1.46
2000	1.30
2100	1.16
2200	N/A

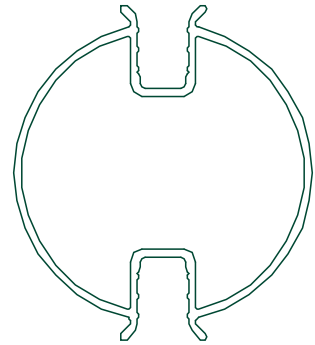


LAN231

Can be used with Small Bay Pole Jack LAN331

Length mm	Load tonnes
500	2.99
600	2.91
700	2.83
800	2.76
900	2.67
1000	2.56
1100	2.47
1200	2.35
1300	2.33
1400	2.23
1500	2.15
1600	2.06
1700	1.96
1800	1.80
1900	1.63
2000	1.48
2100	1.34
2200	Consult

load bearing capacity

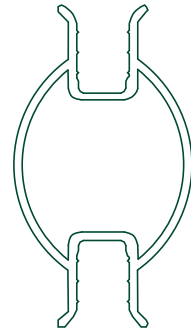


LAN232

Can be used with Large Bay Pole Jack LAN332

Length mm	Load tonnes
500	3.53
600	3.45
700	3.37
800	3.29
900	3.22
1000	3.16
1100	3.08
1200	2.98
1300	2.88
1400	2.81
1500	2.74
1600	2.67
1700	2.59
1800	2.51
1900	2.43
2000	2.35
2100	2.27
2200	Consult

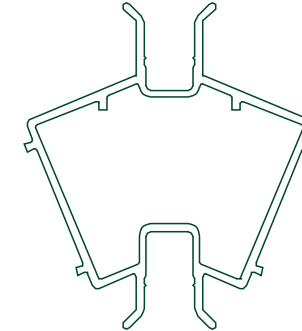
load bearing capacity



LAN233

Can be used with Butt Joint Jack LAN311

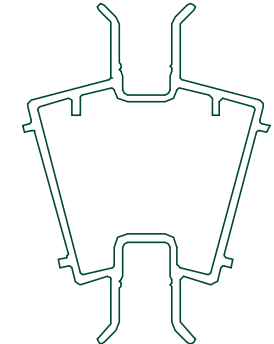
Length mm	Load tonnes
500	2.40
600	2.31
700	2.18
800	2.07
900	1.98
1000	1.87
1100	1.77
1200	1.64
1300	1.42
1400	1.23
1500	1.07
1600	0.96
1700	0.85
1800	N/A



LAN251

Can be used with Butt Joint Jack LAN311

Length mm	Load tonnes
500	3.40
600	3.31
700	3.21
800	3.14
900	3.07
1000	2.96
1100	2.85
1200	2.75
1300	2.68
1400	2.60
1500	2.50
1600	2.41
1700	2.32
1800	2.23
1900	2.05
2000	1.87
2100	1.67
2200	Consult

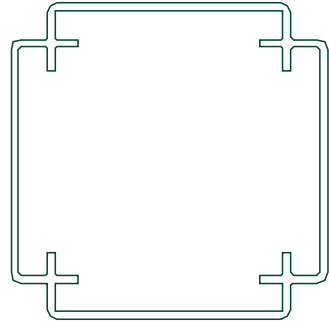


LAN252

Can be used with Butt Joint Jack LAN311

Length mm	Load tonnes
500	3.08
600	2.98
700	2.90
800	2.79
900	2.67
1000	2.57
1100	2.48
1200	2.38
1300	2.30
1400	2.17
1500	2.07
1600	1.87
1700	1.66
1800	1.49
1900	1.34
2000	1.23
2100	1.13
2200	Consult

load bearing capacity



LAN253

Can be used with Square Pole Jack LAN353

Length mm	Load tonnes
500	4.00
600	3.94
700	3.87
800	3.80
900	3.74
1000	3.67
1100	3.61
1200	3.55
1300	3.50
1400	3.44
1500	3.37
1600	3.29
1700	3.21
1800	3.13
1900	3.08
2000	3.03
2100	2.98
2200	Consult

energy ratings

Operated by the BFRC (British Fenestration Ratings Council), Window Energy Ratings (WER's), are a straight forward way of assessing the thermal efficiency of window systems.

The rating system is recognised and referred to in Part L of The Building Regulations.

WER's are calculated using a standard size and style of window and a formula taking into account solar gain and air leakage, amongst other factors. The resulting numerical value falls into lettered bands A to G, A being the most efficient. These lettered bands being familiar sights on white goods such as refrigerators, indicating the efficiency of the product.

As all calculations are based on the exact same window, the resulting values are directly comparable between window systems.

The benefits of installing the most efficient windows in both new build and refurbish properties are obvious, reducing heating bills and reducing carbon emissions.

Whilst some manufacturers of ageing systems are forced into ever increasing levels of complexity and expense to ensure their products achieve acceptable ratings, Liniar products have been designed using the latest software to make the most efficient use of materials.

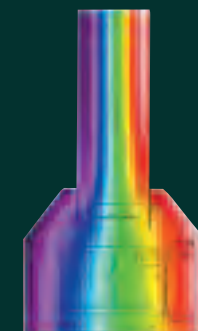
For more information on WER's visit www.bfrc.org



Thermal transfer through Liniar 'A Rated' sash/outer frame



Thermal transfer through Liniar 'A Rated' sash/transom



Thermal transfer through Liniar 'A Rated' outer frame

energy ratings

The Liniar Window System for the Energy Conscious

- The following BFRC Window Energy Ratings (WER's) have been calculated by a registered independent simulator.
- Simulations carried out on windows manufactured in accordance with The Liniar Fabrication Manual and identical to those submitted for BS7950 accreditation.
- The Liniar Window System features a 57mm high Outer Frame, ideal for internal glazing.
- For more information on Window Energy Ratings visit www.bfrc.org.

Internal pane	External pane	Spacer Bar.	28 DGU Gas	BFRC Rating
Planitherm Total	Float	Generic Aluminium	Argon	C
Pilkington K	Optifloat	Swiss Spacer V	Air	C
Planitherm Total	Diamant	Generic Aluminium	Air	C
Pilkington K	Optifloat	Super Spacer	Air	C
Pilkington K	Optifloat	Super Spacer	Air	B
Climaguard D	Float	Super Spacer	Argon	B
Planitherm Total	Diamant	Generic Aluminium	Argon	B
Pilkington K	Optifloat	Super Spacer	Argon	B
Climaguard A	Float	Super Spacer	Argon	A
Pilkington K	Optiwhite	Super Spacer	Argon	A
Planitherm Total	Float	Super Spacer	Argon	A
Planitherm Total	Diamant	Swiss Spacer V	Argon	A

Or how about the pinnacle of energy efficient windows:

Planitherm Total	Diamant	Super Spacer	Argon	A+8
------------------	---------	--------------	-------	-----

Does your system supplier offer you all of this, along with:

- High gloss, lead free profiles.
- No internal corner cleaning required, thanks to the double-action gasket (Patent UK 0802551.2).
- Typically, less than half the steel requirement of established systems.
- Part M compliant & standard low threshold door options available, with no end milling required to the frame (Registered Design UK 4006283).
- BS7950, Pas 23/24, EN12608, Secured By Design & tested to the requirements of BS7412.
- Choice of chamfered & sculptured systems, fully interchangeable for ease of manufacture. Available September '08.
- Identical chamfered bead & rebate detail, ideal for internal glazing.
- Symmetrical drainage for rebate & bead areas, on all profiles.
- 165mm flush fitting clip on cill, in addition to the standard range.
- Equal frame cover on both faces of door sashes.
- Internally & externally beaded sash windows accept 22mm backset hardware, with night vent facility.
- Snap-on stacking of cill, outer frames, low thresholds & frame extension.
- Comprehensive range of ancillary products.
- Available in white, rosewood & oak finishes, along with foiled on white options.

notes
